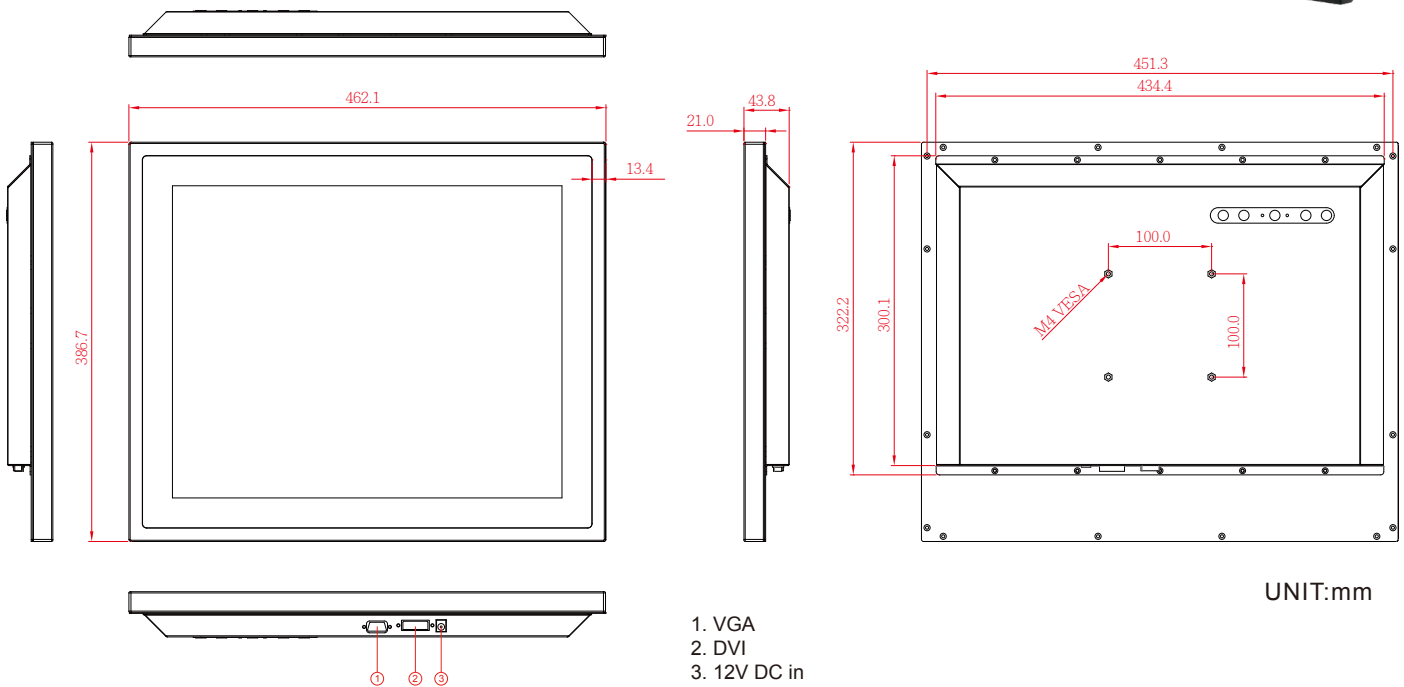


19" P-Cap Chassis Display - R19L300-PCM1

Features

- 19" 1280x1024 Resolution
- Projected Capacitive Multi-Touch (P-Cap)
- Front IP65 Water and Dust Proof
- VGA input and variety of optional connectors
- USB port for touch
- Stylish and elegant design



* Note: this is a simplified drawing and some components are not marked in detail. Please contact our sales representative if you need further product information.

Specifications

Display

- Size/Type : 19" TFT (Widescreen)
- Resolution : 1280 x 1024
- Brightness : 250 cd/m² (typ.)
- Contrast Ratio : 1000:1 (typ.)
- Viewing Angle : -85~85(H);-80~80(V)
- Max Colors : 16.7M (8bit/colors)
- Touch : Projected Capacitive Multi-Touch (P-CAP)

Power Considerations

- Power Input : DC 12V input, with External AC-DC Adapter (100-240V)
- Power Consumption : 35W typical, normal operation

Environment

- Operating Temperature : -10 °C to 55 °C
- Operating Humidity : 5% to 95% (non-condensing)
- IP Rating : Front IP65

Input / Output

- Input Ports : 1 x VGA
1 x DVI
1 x 12V DC in

Mechanical Specification

- Cooling System : Fanless design
- Mounting : VESA Mount (100x100mm)
- Dimensions (W x H x D) : 461.7 x 386.7 x 43.8 (mm)

Accessory

- Vesa Desk Stand (Optional)



SCIGATE AUTOMATION (S) PTE LTD

No.1 Bukit Batok Street 22 #01-01 Singapore 659592
Tel: (65) 6561 0488 Fax: (65) 6562 0588
Email: sales@scigate.com.sg Web: www.scigate.com.sg

Business Hours: Monday - Friday 8.30am - 6.15pm



25-Aug-2017 V1.0

Note: All Specifications are subject to change without prior notice!