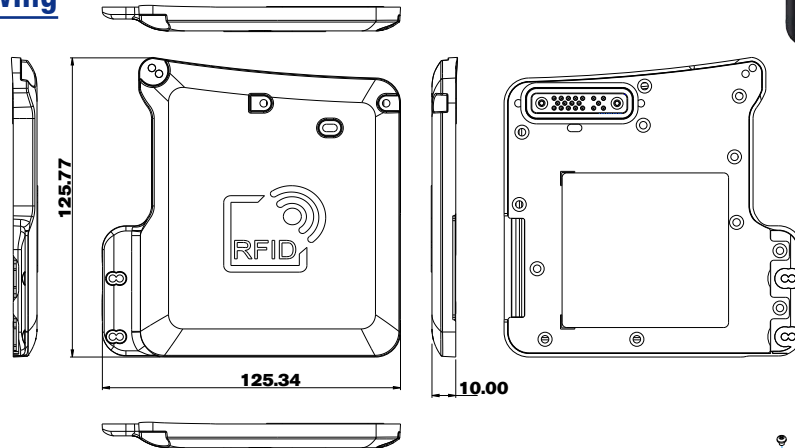


### Product Features

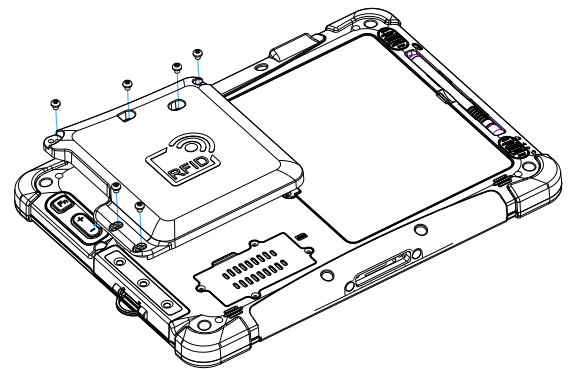
- Integrated ThingMagic M6e-Micro module
- Integrated orientation antenna for fast and accurate tag reads
- Power transmission up to +30 dBm (1 Watt) power
- Read-Range 3+ Meters for 2x8 cm UHF tags in unobstructed space
- Option of 865-868 MHz and 902-928 MHz
- Supports EPCglobal Gen 2 (ISO 18000-6C) protocol
- Easy to install and operate

### Mechanical Drawing



### Installation Procedure

1. Remove expansion port cover from the rear side of M101 Tablet PC.
2. Align the Pogo Pin on UHF-M101 to the expansion port of M101 Tablet PC; screw to fix the module on tablet.
3. Turn on the power of UHF-M101 through Hottab utility (Extend\_USB).
4. Install the driver and utility needed.



### Specification

Tag / Transponder Protocols	
RFID Protocol Support	EPCglobal Gen 2 (ISO 18000-6C) with max backscatter rate of 640 kbps IP-X and ISO 18000-6B optional
Regulatory	Basing on different frequencies supported.
	<ul style="list-style-type: none"> <li>• FCC (NA, SA) 902-928 MHz</li> <li>• KCC (Korea) 917-920.8 MHz</li> <li>• ACMA (Australia) 920-926 MHz</li> <li>• SRRC-MII (P.R.China) 920-925 MHz</li> <li>• ETSI (EU, India) 865.6-867.6 MHz</li> <li>• TRAI 865-867 MHz (India)</li> </ul>
Power transmission (dBm)	up to +30 dBm (1 Watt) power
Read Range	3 meters for 2x8 cm UHF tags in unobstructed space *
Certificate	Contains FCC ID: QV5MERCURY6E-M.
Environment & Mechanical	
Dimension	125.77 x 125.34 x 10.0 mm
Operating Temp.	-10°C to +60°C
Storage Temp.	-20°C to +70°C
Software Support	
Support OS	Windows 8, Windows 8.1, Windows 7
Test Utility	ThingMagic Universal Reader Assistant supported

**SCIGATE AUTOMATION (S) PTE LTD**  
 No.1 Bukit Batok Street 22 #01-01 Singapore 659592  
 Tel: (65) 6561 0488 Fax: (65) 6562 0588  
 Email: sales@scigate.com.sg Web: www.scigate.com.sg  
 Business Hours: Monday - Friday 8.30am - 6.15pm

### Ordering information

Model No.	Part Number
UHF-M101	98K000A0004J

\*Note: Please note that the read range depends on the actual environment, and can be affected with different UHF RFID Tag IC used.