

Vehicle Dock for M101B

VD-M101B

Product Features:

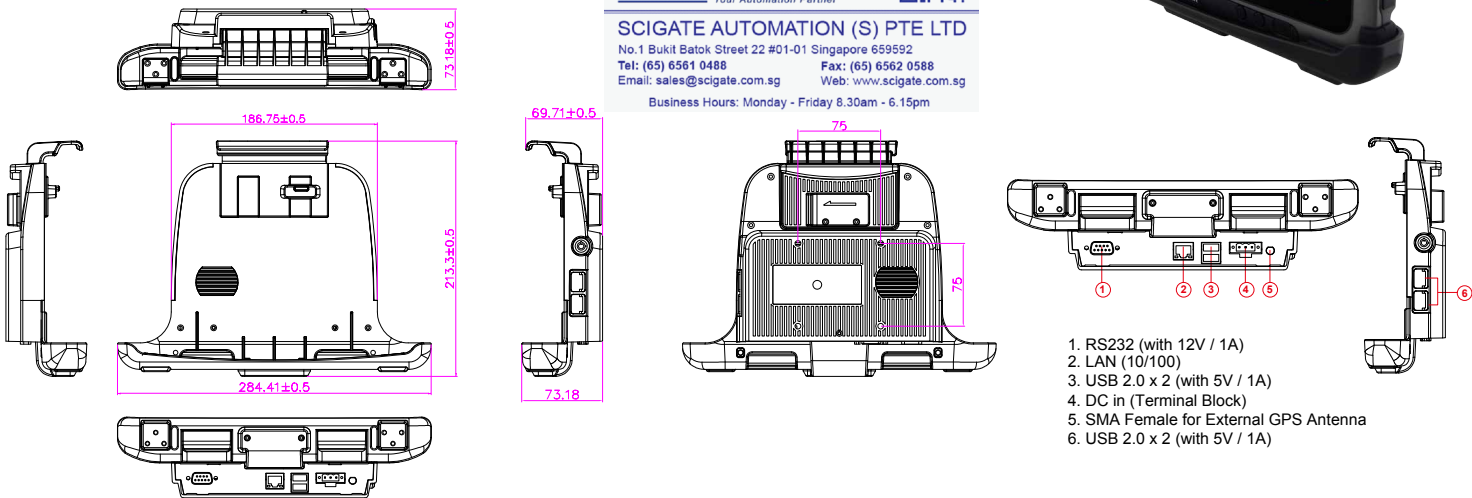
- Hold the tablet stably on moving vehicle
- Anti-theft design with key lockable cradle
- Wide power voltage input (9~36V DC-in)
- IP52 design (Rain proof)
- VESA standard for various standard fixtures
- SMA connector (Female) for external GPS antenna



Mechanical Drawing

SCIENCE GATE
Your Automation Partner

SCIGATE AUTOMATION (S) PTE LTD
No.1 Bukit Batok Street 22 #01-01 Singapore 659592
Tel: (65) 6561 0488 Fax: (65) 6562 0588
Email: sales@scigate.com.sg Web: www.scigate.com.sg
Business Hours: Monday - Friday 8.30am - 6.15pm



One hand docking :



- 1 Insert the Tablet PC into the docking
2. Push down the hook, the lock will lock automatically

One hand undocking :



1. Slide the latch to open the hook
2. Remove the Tablet from docking

Specification

Dimension		284.41 x 213.3 x 73.18 mm
Power Input		9~36V DC In
I/O Support	Bottom	RS232 x 1, USB 2.0 x 2, LAN x 1 SMA Female x 1 (for external GPS antenna) 3-Pin Terminal Block x 1 (DC IN)
	Side	USB 2.0 x 2
Mounting		75 x 75mm VESA Mount
Vibration		MIL STD. 810G, 5 ~ 500Hz, 2.24G