

# Vehicle Docking for M700D

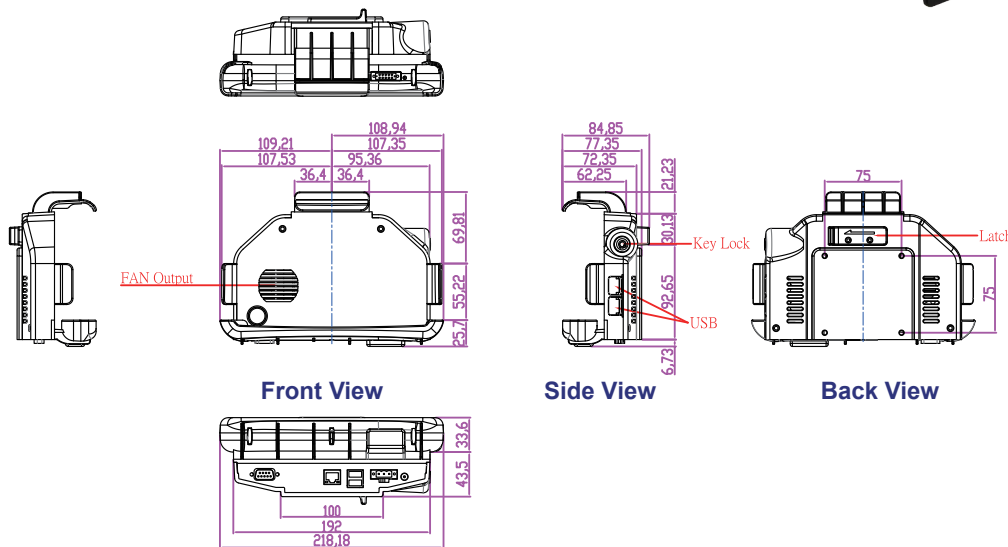
VD-M700D

## Product Features:

- Hold the Tablet tightly on the moving vehicle
- Lockable design to avoid Tablet be taken away (with key)
- Support both terminal block & 2.5  $\psi$  power jack input
- 9~36V DC-in wide range DC input
- Bottom I/O supported: USBx2 / LAN / DC-in
- Side I/O Supported : USB x 2
- IP52 design (Rain proof)

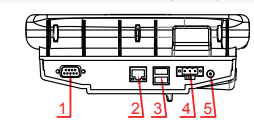


## Mechanical Drawing



**SCIENCE GATE**  
Your Automation Partner

**SCIGATE AUTOMATION (S) PTE LTD**  
No.1 Bukit Batok Street 22 #01-01 Singapore 659592  
Tel: (65) 6561 0488 Fax: (65) 6562 0588  
Email: sales@scigate.com.sg Web: www.scigate.com.sg  
Business Hours: Monday - Friday 8.30am - 6.15pm



1. COM(RS232) x 1 with 12V 1A
2. LAN(10/100) x 1
3. USB x 2 With 5V 1.5A
4. DC-in (Terminal block)
5. DC-in (2.5 $\psi$ )

## One hand docking :



- 1 Insert the Tablet PC into the docking
2. Push down the hook, the lock will lock automatically

## One hand undocking :



1. Slide the latch to open the hook
2. Remove the Tablet from docking

## Specification

Dimension		150.73 x 218.15 x 84.85 mm
Power Input		9~36V DC
I/O Support	Button	COM x1, USB x 2, LAN x1 DC-in (terminal block & 2.5 $\psi$ power jack)
	Side	USB x 2
Mounting		75 x 75mm VESA Holes
Vibration		MIL Std. 810G, 5 ~ 500Hz, 2.24G

Accessories:	
Default	Cigar Head Cable VESA Screw x 6

Rev.	Reasons	Revised Date
1.1	Pic Change	Apr-24-2013
1.2	Spec Change	Nov-19-2013
1.3	Spec Change	Dec-05-2014