

# Vehicle Docking for M700DM8

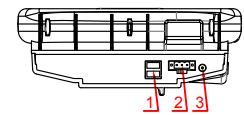
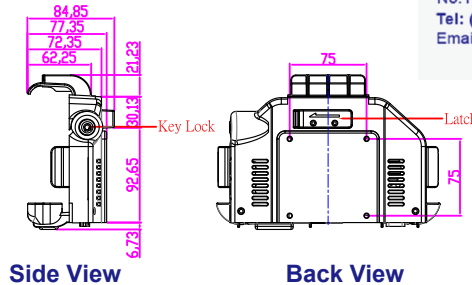
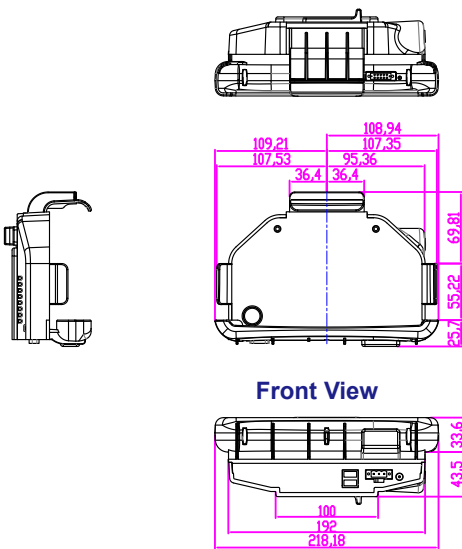
VD-M700DM8

## Product Features:

- Hold the Tablet tightly on the moving vehicle
- Lockable design to avoid Tablet be taken away (with key)
- Support both terminal block & 2.5  $\psi$  power jack input
- 9~36V DC-in wide range DC input
- Bottom I/O supported: USBx2
- IP52 design (Rain proof)



## Mechanical Drawing



1. USB x 2 With 5V 1.5A
2. DC-in (Terminal block)
3. DC-in (2.5 $\psi$ )

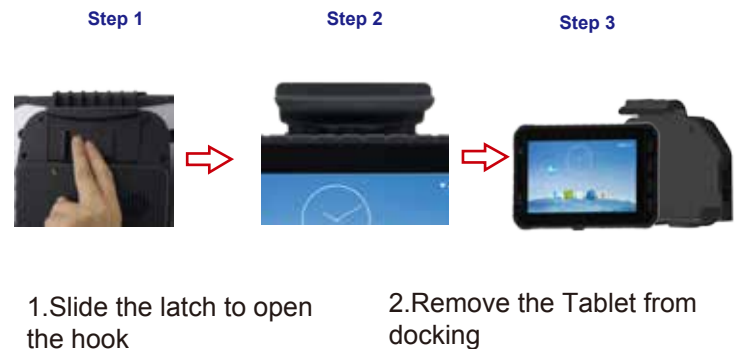
**SCIENCE GATE**  
Your Automation Partner

**SCIGATE AUTOMATION (S) PTE LTD**  
No.1 Bukit Batok Street 22 #01-01 Singapore 659592  
Tel: (65) 6561 0488 Fax: (65) 6562 0588  
Email: sales@scigate.com.sg Web: www.scigate.com.sg  
Business Hours: Monday - Friday 8.30am - 6.15pm

## One hand docking :



## One hand undocking :



## Specification

Dimension		150.73 x 218.15 x 84.85 mm
Power Input		9~36V DC
I/O Support	Button	USB x 2 DC-in (terminal block & 2.5 $\psi$ power jack)
Mounting		75 x 75mm VESA Holes
Vibration		MIL Std. 810G, 5 ~ 500Hz, 2.24G

Accessories:	
Default	Cigar Head Cable VESA Screw x 6