

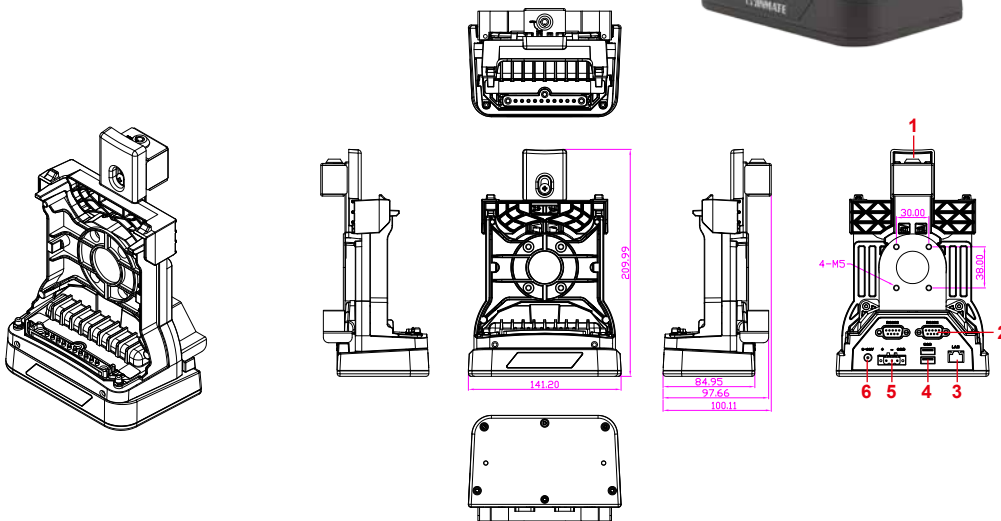
Vehicle Dock for M9020

M9020-VD

Product Features:

- Single-hand operation, remove or docked using one hand
- Anti-theft design with key lockable cradle
- Wide power voltage input (9-36V DC Input)
- Easy to service; separated the Mount and the electronic Box
- Flexible design and Fits to RAM Mounts
- Docking station connector for connection with M9020
- The main body in aluminum and make it very strong and removes any flexing and twisting

Mechanical Drawing



1. Lock
2. RS-232 Connectors
3. RJ-45 Connector
4. USB Ports
5. Bare leads DC connector
6. Power Connector

Docking M9020 :

Step 1



1. Align the golden connector and guide pin holes on the M9020 with one on the docking station. Insert M9020 into the guide pin holes on the docking station

Step 2



2. Slightly push the upper part of M9020 towards the docking station, until you hear the "click" sound,

Undocking M9020 :

Step 1



1. While holding the M9020, press the release latch on the docking station and then lift the device to un-dock it.

Specification

Lock	Locking system to avoid the device being taken from the dock.
RS-232 Connectors	Connection for serial devices, for example, a scanner or a printer.
RJ-45 Connector	Provides connection to a LAN.
USB Ports	Connection for 2 x USB 1.1 compatible devices, for example, USB flash drives.
Bare leads DC connector	Connection for DC power supply with bare leads.
Power Connector	Connects to the AC adapter.

SCIENCE GATE
Your Automation Partner



SCIGATE AUTOMATION (S) PTE LTD
No.1 Bukit Batok Street 22 #01-01 Singapore 659592
Tel: (65) 6561 0488 Fax: (65) 6562 0588
Email: sales@scigate.com.sg Web: www.scigate.com.sg
Business Hours: Monday - Friday 8.30am - 6.15pm