

Rugged Tablet

Vehicle-Mounting Docking Stand w/ Car Charging

Model : VMDS-08

Part number: 99KK08400003

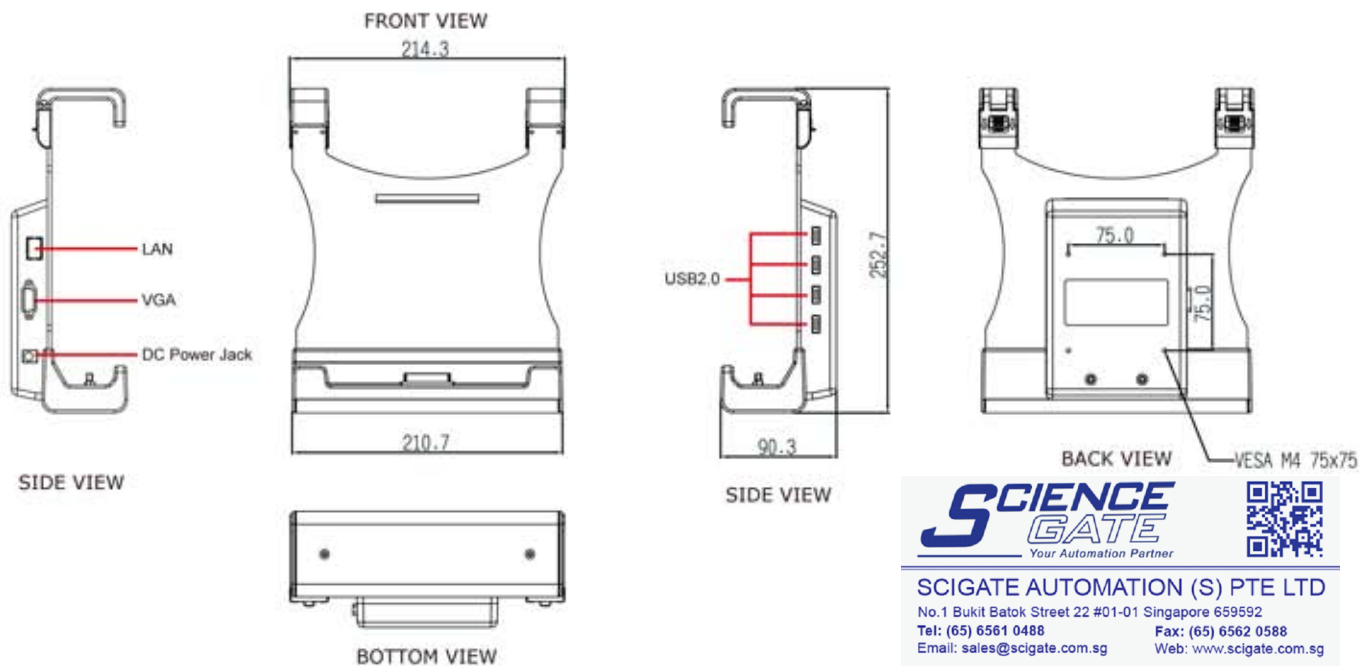
- Input: 9~36V with a car charging connector
- Output: 19V with a cable can connect to our Rugged Tablet PCs
- TDP: 80W
- Mechanical mount: VESA mount, universal RAM mount
- Expansion Ports: 4 x USB 2.0, 1 x VGA , 1 x 10/100 LAN
- Ergonomic & User-friendly design of loose/ lock the Tablet PC



Picture



Mechanical Design Drawings



SCIGATE AUTOMATION (S) PTE LTD
 No.1 Bukit Batok Street 22 #01-01 Singapore 659592
 Tel: (65) 6561 0488 Fax: (65) 6562 0588
 Email: sales@scigate.com.sg Web: www.scigate.com.sg
 Business Hours: Monday - Friday 8.30am - 6.15pm

* Note: this is a simplified drawing and some components are not marked in detail.
 Please contact our sales representative if you need further product information.

Order Information

#	Model Name	Description
A.	VMDS-08	Support R08ID8M/ R08IH8M/ R10IH8M Rugged Tablet PCs