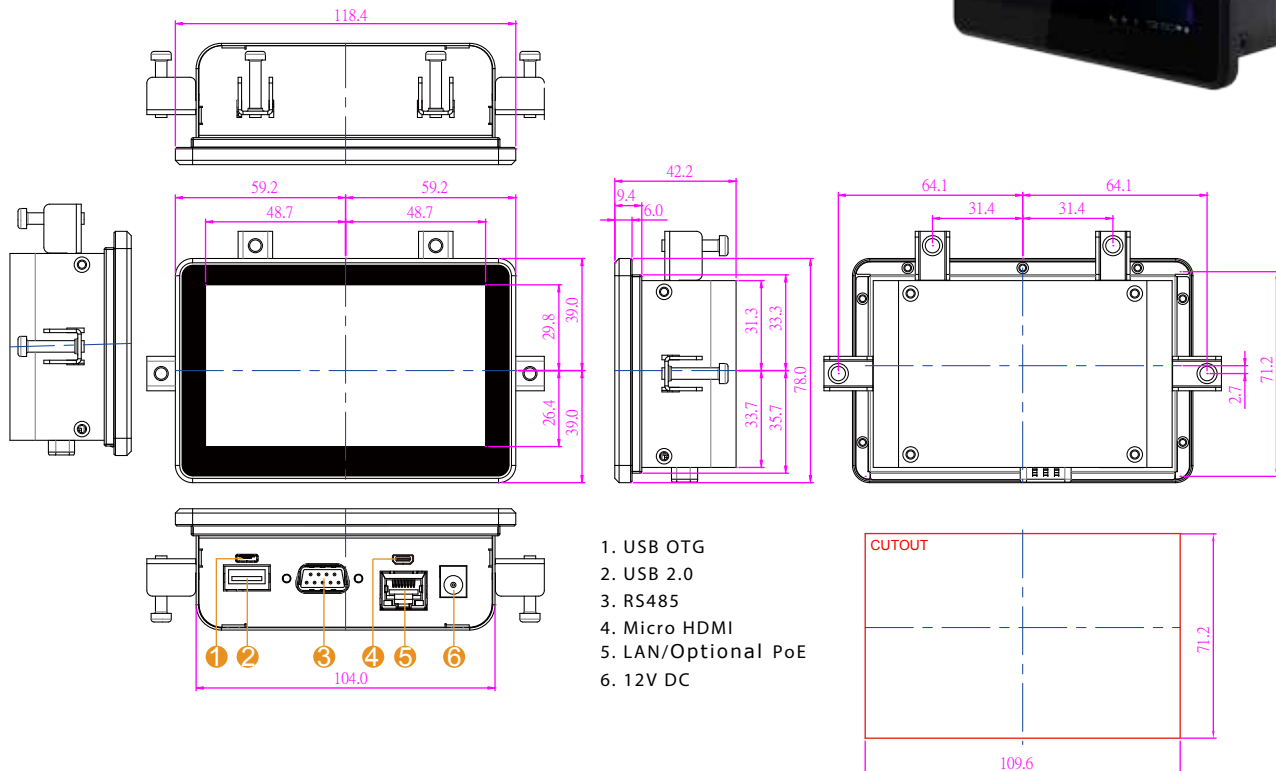


# Winmate E-Series HMI (Preliminary - available on Q1 2018)

4.3" E-Series HMI with Freescale i.MX6

W04FA3S-EHT1

- 4.3" 480 x 272 Resolution with P-Cap Multi-touch screen
- Freescale Cortex A9 i.MX6 Dual Core 1GHz
- Fanless cooling system and Ultra-low power consumption
- Support PoE function (Optional)
- Front IP65 Water and Dust Proof
- 1 x USB ; 1 x USB OTG ; 1 x RS485 ; 1 x Micro HDMI
- Anti-Shock and Vibration Standard according to MIL-STD-810F/G



## Specifications

### System :

- Processor : Freescale Cortex A9 i.MX6 Dual Core 1GHz
- System Memory : 1GB LPDDR3
- Storage : Onboard 16GB eMMC/Micro SD card

### Input / Output :

- USB Ports : 1 x USB 2.0 host, 1 x USB OTG
- COM port : 1 x RS485
- Micro port : 1 x Micro HDMI
- Ethernet : 1 x RJ45, 10/100/1000  
LAN Support Optional PoE function

### Certifications :

- MIL810F/G / IEC60068-2-27 for Vibration /Shock

### Power Specifications :

- Power Input : 12V DC
- Optional Power : Support PoE (optional), Power Device (PD):  
Over Ethernet follows IEEE 802.3at (25 W)

### Display Spec :

- Size/Type : 4.3" TFT (Widescreen)
- Resolutions : 480x272
- Brightness : 400cd/m (typ.)
- Contrast Ratio : 1000 : 1 (typ.)
- Viewing Angle : -75~50(H);-75~75(V)
- Max Colors : 16.7M (8bit)
- Touch : Projected Capacitive Multi-Touch (P-CAP)

### Mechanical Specification :

- Cooling System : Fanless design
- Mounting : Mounting clips x 4
- Dimension (W x H x D) : 118.4 x 78 x 42.2 (mm)

### Environment Considerations :

- Operating Temperature : 0 deg.C to 50 deg.C
- Operating Humidity : 10% to 90% (non-condensing)

### OS/BSP Driver Support :

- Operation System : Android 4.4 (Default)  
: Linux Kernel 4.1.15,QT 5.5 Browser (Optional)  
Ubuntu 16.04 (Optional)



Revised date: 09-Aug-2017 V1.5

SCIGATE AUTOMATION (S) PTE LTD  
No.1 Bukit Batok Street 22 #01-01 Singapore 659592  
Tel: (65) 6561 0488 Fax: (65) 6562 0588  
Email: sales@scigate.com.sg Web: www.scigate.com.sg  
Business Hours: Monday - Friday 8.30am - 6.15pm