

5" Access Control System

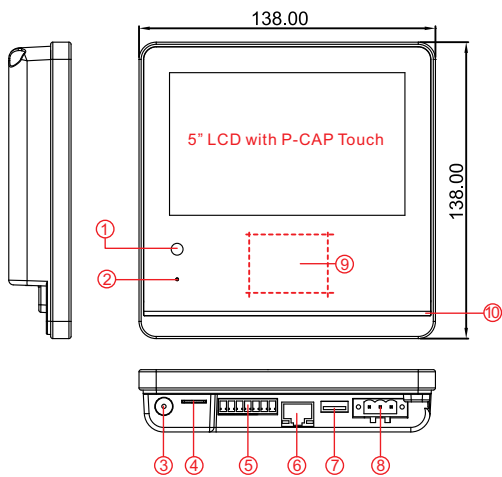
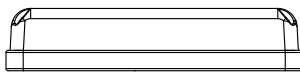
Stylish All-in-one Access Management

Model:W05TA3S-PCT3

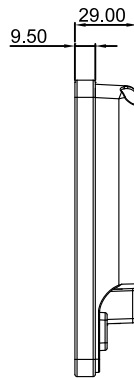


Features:

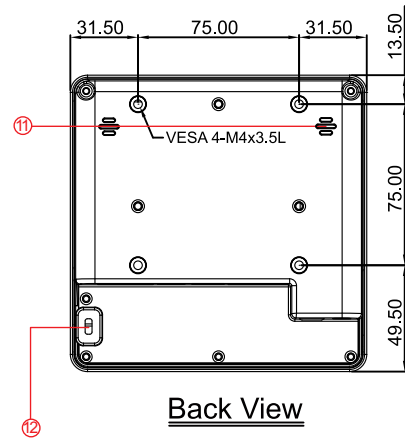
- TI Cortex A8 AM3354 1GHz with Android Operating System
- 5" WVGA TFT(LED backlight) with P-CAP touch screen
- Gigabit LAN with PoE(IEEE 802.3AT) Solution
- Built-in non-contact HF RFID Module
- 2MP front-facing camera for interactive communication
- Multi-Color(G,R,B) Programmable LED Light Bar Indicator
- Unidirectional-Mic and Speaker for VoIP application
- Wide-distance(10M)RF controller for Digital Out device trigger application
- Diversity of mounting kit to satisfy various installation environment
- All-in-one design, completed solution for cost-saving and space-saving
- Fanless cooling system and ultra-low power consumption



Bottom View



Side View



Back View

- | | | |
|----------------------|-------------|--------------------|
| 1.Camera | 5.DI/DO | 9.HF RFID Module |
| 2.Mic | 6.LAN(PoE) | 10.LED Light Bar |
| 3.Reset Button | 7.USB(Host) | 11.Speaker |
| 4.Micro SD Card Slot | 8.DC 12V in | 12.Kensington Lock |

Measurements shown in mm
All Dimensions are 0.5 mm

* Note: this is a simplified drawing and some components are not marked in detail.
Please contact our sales representative if you need further product information.

LCD Display

Size/Type	: 5" TFT(LED Backlight)
Pixel Pitch	: 0.045(H) X 0.135(V)
Resolutions	: 800 X 480
Contrast Ratio	: 500:1 (typ.)
Luminance (cd/m2)	: 300 (typ.)
Viewing Angle (H/V)	: -70~70 (H); -50~70 (V)
Touch Screen	: P-CAP Multi-Touch support 5 points

System Specification

CPU	: TI Cortex A8 AM3354 1GHz with DSP
Memory	: 512MB DDR2 SDRAM 533MHz
Storage	: 1GB 8bit Nand Flash(OS)
Graphic	: PowerVR SGX 3D Gfx
Operating System	: Android 4.2

I/O Connectors

DC-Input	: 1 x Phoenix Type Power Jack
Reset Button	: 1 x Reset Button with Blue LED indicator
USB Port	: 1 x USB A-type(HOST)
Ethernet	: 1 x RJ 45 10/100/1000 (Support PoE function IEEE 802.3AT)
Expansion Storage	: 1 x Micro SD Card Slot (Compatible with SDHC)
DI / DO	: 2 in / 2 out(one 12V/1A for electromagnetic lock) / 3 GND

Peripheral

RFID(HF, 13.56MHz)	: Supporting 14443A , ISO 15693 / ISO18092, 3cm(Maximum Reading Range)
Audio Input	: MIC(Uni-directional)
Audio Output	: 1Watt Speaker
LED Light Bar Indicator	: RGB multi-color
Camera(Optional)	: 2MP front-facing camera
RF remote control(Optional)	: 443MHz RF module with controller ,10M(Maximum Active Range)

Power

Power Input	: 12V DC-IN Power input (Phoenix type)
Power Over Ethernet	: Support IEEE 802.3AT(25W)
Power Consumption	: 10W (w/o DIDO Device)

Mechanical Specification

Cooling System	: Fanless design
Mouting	: VESA Mount (75 x 75mm)
Dimension (W x H x D)	: 138 x 138 x 29mm

Environmental Specification

Operation Temperature	: 0°C ~ 55°C
Operating Humidity	: 10% ~ 90% (non-condensing, RH)
IP Proof	: IP54(Front Side)

SCIGATE AUTOMATION (S) PTE LTD
 No 1 Bukit Batok Street 22 #01-01 Singapore 659592
 Tel: (65) 6561 0488 Fax: (65) 6562 0588
 Email: sales@scigate.com.sg Web: www.scigate.com.sg
 Business Hours: Monday - Friday 8.30am - 6.15pm