

# HMI PoE Panel PC

## Model:W07ID3S-PMA2-PoE

### Product Features:

- 7" TFT LCD with resistive touch screen
- Embedded intel® Atom N2600 1.6 GHz processor
- Power Device
- Support Power over Ethernet(PD) IEEE 802.3at
- Fanless and Ultra-low power consumption
- Aluminium Front Bezel

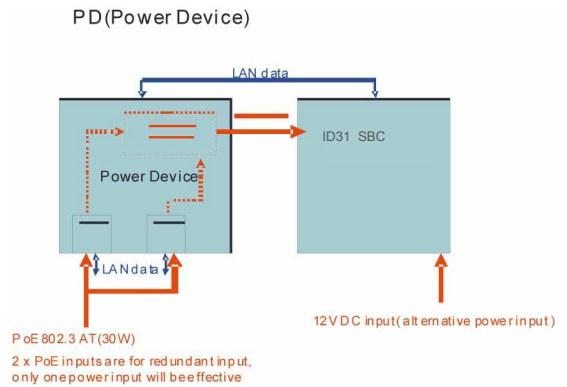


Panel Mount  
6mm Front bezel

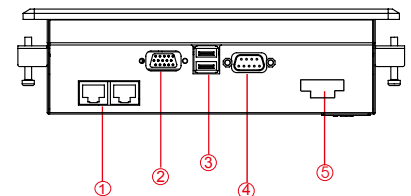
### Product Specifications:

|                    |   |   |
|--------------------|---|---|
| Display            | Model Name  | W07ID3S-PMA2-PoE  |
|                    | Size/Type   | 7" TFT  |
|                    | Resolution (pixels)   | 800 x 480   |
|                    | Number of Colors  | 262 K   |
|                    | Brightness (cd/m2)  | 300   |
|                    | Contrast Ratio  | 500:1   |
| System             | Viewing Angle   | -70~70 (H) ; -50~70 (V)   |
|                    | Processor   | Intel® Atom N2600 1.6GHz  |
|                    | Chipset   | Intel® NM10   |
|                    | Memory  | 1 x SO-DIMM DDR3 800/1066 (max 4GB)                                   |
|                    | LAN   | Dual Realtek RTL8111B Gigabit LAN Controller                          |
|                    | Options   | Intel® WG82574L GbE LAN Controller for WinCE 7.0 OS                   |
|                    | Storage   | 1 x Mini PCI-E SSD  |
| Input / Output     | USB Port  | 2 x USB   |
|                    | Ethernet  | 2 x RJ 45-10/100/1000, Power Device (PD): follows IEEE 802.3at (25 W) |
|                    | VGA   | 1 x VGA ( female )  |
|                    | RS-232  | 1 x RS-232 COM Port   |
|                    | RS-422/485  | 1 x *RS-232/422 / 485 COM Port ( *Default RS-485 )                    |
|                    | *7" PPC needs either one port 802.3at PoE input   |   |
| Power              | Power Input   | 12~24V DC-IN Power input or receives PoE Power from RJ45 Connector    |
|                    | Power consumption   | 21W (typ.)(Max.backlight & high CPU load)                             |
| Environment        | Operating Temperature   | -10 deg.C to 60 deg.C   |
|                    | Humidity  | 30% to 90% ( non condensing )   |
| Support OS         | Windows XP embedded / Windows 7 / Windows XPP Embedded / Linux WinCE 7.0 Core Runtime / WinCE 7.0 Pro Runtime |   |
| Accessories        | External Adapter  | 110~230V Ac-in Power Adapter  |
| Default            | Mechanical  | Panel Mount   |
|                    | Touch   | 4 Wires Resistive   |
|                    | CPU   | N2600 1.6GHz  |
|                    | Storage   | 1 x Mini PCI-E SSD 16GB   |
| PoE Function       | RAM   | 1 x SO-DIMM DDR3 2GB  |
|                    | Require IEEE 802.3at 25W power input<br>Power Device PD (Power-input)   |   |
| Testing PoE Router | Winmate has tested this PD Product with D-Link DES-1008P and works perfectly                                  |   |

### Block diagram:



### I / O View:



1. 2xRJ-45 with PoE function
2. VGA Out
3. USB
4. RS-485 (Default)
5. Terminal block

