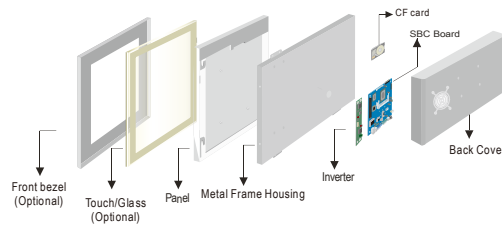


W07ID3S-PMA2 7" Panel PC (Intel® Atom™ Dual Core D2550 Processor)

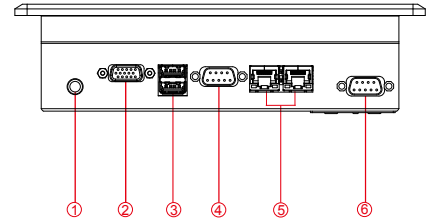
Mechanical Design



Panel Mount (6mm front bezel)

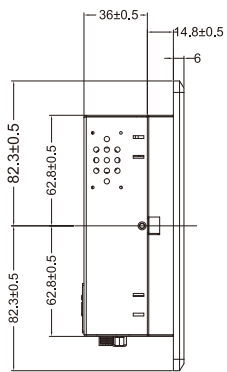


Mechanical design

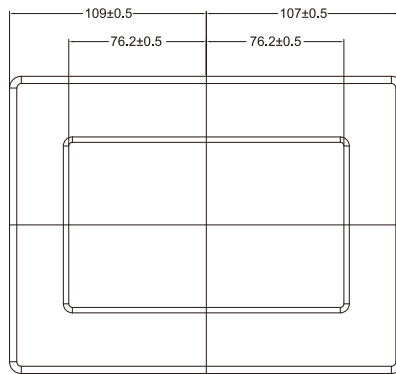


- 1. DC-IN Power Jack
- 2. VGA
- 3. USB
- 4. RS-232/422/485
- 5. LAN
- 6. RS-232

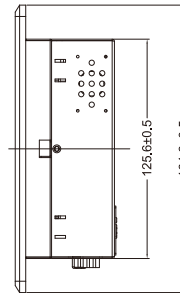
SIDE VIEW



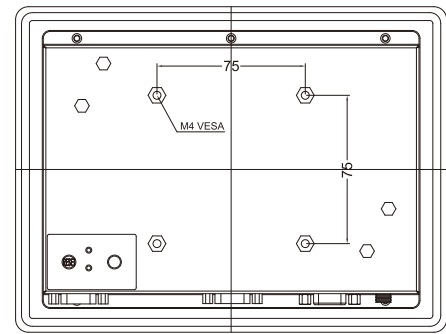
FRONT VIEW



SIDE VIEW

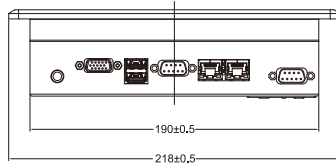


BACK VIEW



Measurements shown in mm
All Dimensions are ±

BOTTOM VIEW



* Note: this is a simplified drawing and some components are not marked in detail. Please contact our sales representative if you need further product information.

Specifications

System :

- CPU : Intel® Atom™ Dual Core D2550 1.86GHz Processor
- Memory Slot : DDR3 1066 MHz SO-DIMM Slot, Max. 4GB
- System Chipset : NM10
- IDE/SATA : MiniPCIe SATA SSD
- LAN : Dual Broadcom BCM57780 GbE controller
- Audio Codec : Realtek ALC886 HD Audio Codec

Panel Spec :

- Size/Type : 7 " TFT
- Resolutions : 800x480
- Brightness : 350cd/m (typ.)
- Contrast Ratio : 300 : 1(typ.)
- Viewing Angles : -60~60(H); -60~40(V)
- Max Colors : 262.144(6bits/color)

Input / Output :

- Serial Ports : 1 x RS-232, 1 x RS-232/422/485 (Default 232)
- USB Ports : 2 x USB
- Ethernet : 2 x RJ 45-10/100/1000 Mbps
- VGA : 1 x VGA (female)
- Power Input : 1 x DC-IN Power Jack

*Default RS-232

Environment Considerations :

- Operating Temperature : 0 deg.C to 45deg.C
- Operating Humidity : 30% to 90% (non condensing)

Expansion Slot :

- 1 x Mini PCIe slot (for wireless module)
- 1 x Mini PCIe slot (for SATA SSD)

Order Options :

- | | |
|-------------------------------------|----------------------------|
| Mechanical : Open Frame | Storage : Mini PCIe SSD |
| Panel Mount (6mm bezel) | RAM : SODIMM DDR3 800/1066 |
| IP65 (6mm bezel) | OS : Windows 7 embedded / |
| Chassis | Windows XP embedded |
| Touch : 4 Wires Resistive(Optional) | (Optional) |

Power Specifications :

- Power Input : 12V DC-IN Power input
- Power Consumption : 33W (typ.)(Max.backlight & high CPU load)

Accessories :

- External Power Supply 50W w/power cord



SCIGATE AUTOMATION (S) PTE LTD

No.1 Bukit Batok Street 22 #01-01 Singapore 659592
 Tel: (65) 6561 0488 Fax: (65) 6562 0588
 Email: sales@scigate.com.sg Web: www.scigate.com.sg
 Business Hours: Monday - Friday 8.30am - 6.15pm

