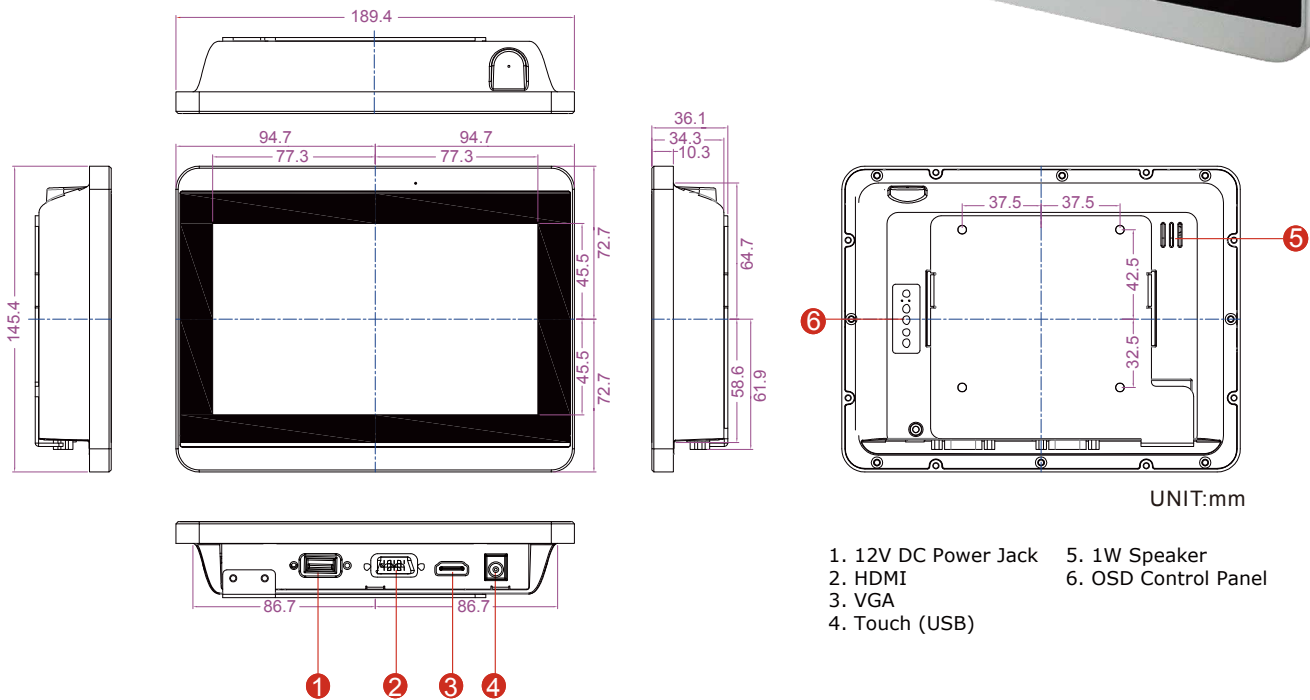


7" P-Cap Chassis Display - W07L100-PC01

Features

- 7" 1024 x 600 Resolution
- Projected Capacitive Multi-Touch (P-Cap)
- Front IP65 Water and Dust Proof
- VGA input and variety of optional connectors
- USB port for touch
- Stylish and elegant design



* Note: The mechanical drawing may change when adding touch screen.
 Please contact our sales representative if you need further product information.

Specifications

Display

- Panel Size : 7"
- Active Display Area(mm) : 153.6(H)x90(V)
- Resolution : 1024x600
- Brightness(cd/m2) : 1000(Typical)
- Contrast Ratio : 700:1 (Typical)
- Viewing Angles(CR>=10 L/R/U/D) : -75~75(H) ; -75~70(V)
- Display Colors : 16.2M (6 bits/color)
- Standard Input Signal : 1 x VGA (D-sub 15)
1 x HDMI (Type-A)"

Power Considerations

- Power Input : 12V DC, with external AC Adapter (100V~240V)
- Power Consumption : 10W typical , Normal operation

Environment

- Operating temperature : 0~50°C
- Storage Temperature : -10~60°C

Output

- Touch Screen : Projected Capacitive
- Touch Interface : USB
- Audio / Speakers (Optional)* : Audio line in (3.5mm) + Speaker x2
- OSD : 5 Keys: - , + , Power , Esc , Enter

Accessories

- Accessories : Power AC-DC Adapter(100V~240V)
VGA cable (1.8m)
HDMI cable (2m)

*Outside dimension and I/O will be different from standard

I/O Optional

Optional 1*	1 x VGA (D-sub 15) 1 x HDMI (Type-A) 1 x DVI-D
Optional 2*	1 x VGA (D-sub 15) 1 x DVI-D 1 x S-Video 1 x Composite



SCIGATE AUTOMATION (S) PTE LTD
 No.1 Bukit Batok Street 22 #01-01 Singapore 659592
 Tel: (65) 6561 0488 Fax: (65) 6562 0588
 Email: sales@scigate.com.sg Web: www.scigate.com.sg
 Business Hours: Monday - Friday 8.30am - 6.15pm

