

10.1" S-Series HMI - W10IB3S-PCH2AC-PoE

Features

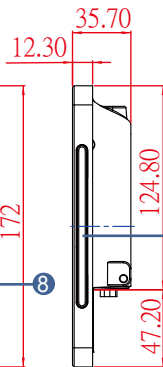
- 10.1" 1280 x 800 Resolution with Projected Capacitive Multi-Touch (P-CAP)
- Low-Power System with Intel® Celeron® N2930 Processor
- Fanless Cooling System and Ultra-low Power Consumption
- Dual Gigabit Ethernet
- Front IP65 Water and Dust Proof
- RGB LED Light Bar Indicators, on 2 sides
- Support PoE function
- Optional HF RFID Reader
- Optional 2MP Front Camera
- Room Booking Schedule, Access Control, Room Information Display



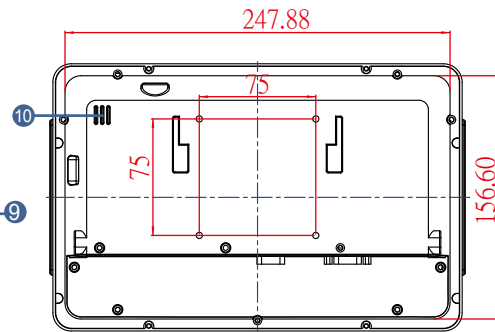
FRONT VIEW



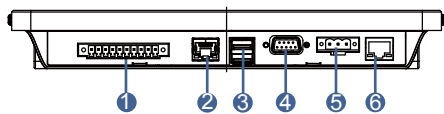
SIDE VIEW



BACK VIEW



BOTTOM VIEW



1. DIDO (Optional)
2. RJ-45 (LAN)
3. USB 2.0/USB 3.0
4. RS232/422/485
5. 12V DC Terminal Block
6. RJ-45 (LAN/PoE)
7. 2MP Front Camera (Optional)
8. HF RFID Reader (Optional)
9. LED Status Light Bar
10. 1 Watt Speaker

Specifications

System

- Processor : Intel® Celeron® Bay Trail-M N2930 1.83GHz
- System Chipset : Intel® ATOM SoC Integrated
- System Memory : 2GB DDR3L 1600 SODIMM (Optional 8G)
- Storage : 64GB M.2 SSD
- LAN : Dual Intel® I210-AT GbE LAN

Input / Output

- Serial Ports : 1 x RS232/422/485
- USB Ports : 1 x USB 3.0
1 x USB 2.0
- Ethernet : 1 x RJ 45-10/100/1000 Mbps (LAN)
1 x RJ 45(PoE)
- Speaker : 1 x 1 Watt Speaker
- DIDO : 1 x DIDO (Optional)

Display Spec

- Size/Type : 10.1" TFT (Wide screen)
- Resolutions : 1280x800
- Brightness : 350cd/m (typ.)
- Contrast Ratio : 800 : 1 (typ.)
- Viewing Angle : -85~85(H); -85~85(V)
- Max Colors : 16.7M
- Touch : Projected Capacitive Multi-Touch (P-CAP)

Power Specifications

- Power Input : 12V DC
- Power Over Ethernet : Power Device (PD)
follows IEEE 802.3at (25 W)
- Power consumption : 19W

Mechanical Specification

- Cooling System : Fanless design
- Mounting : VESA Mount(75x75mm), Panel Mount,
Front Side Wall Mount
- Dimension (W x H x D) : 263.28 x 171 x 35.7 (mm)

Environment Considerations

- Operating Temperature : 0 °C to 50 °C
- Operating Humidity : 30% to 90% (non-condensing)
- IP Rating : Front IP65

Security Support

- Trusted Platform Module (TPM 1.2)

OS/BSP Driver Support

- Operating System : Windows 10 IoT Enterprise
Windows Embedded 8.1 Industry Pro
Windows Embedded 7 Standard

Peripheral

- HF RFID Reader : HF RFID Reader 13.56 MHz (Optional)
- Front Camera : 2 MP Front Camera (Optional)
- LED Light Bar : RGB LED Status Light Bar

Software

- Utility : "HotTab"



SCIGATE AUTOMATION (S) PTE LTD

No.1 Bukit Batok Street 22 #01-01 Singapore 659592
Tel: (65) 6561 0488 Fax: (65) 6562 0588
Email: sales@scigate.com.sg Web: www.scigate.com.sg

Business Hours: Monday - Friday 8.30am - 6.15pm



Note: All Specifications are subject to change without prior notice!

18-Oct-2017 V2.5