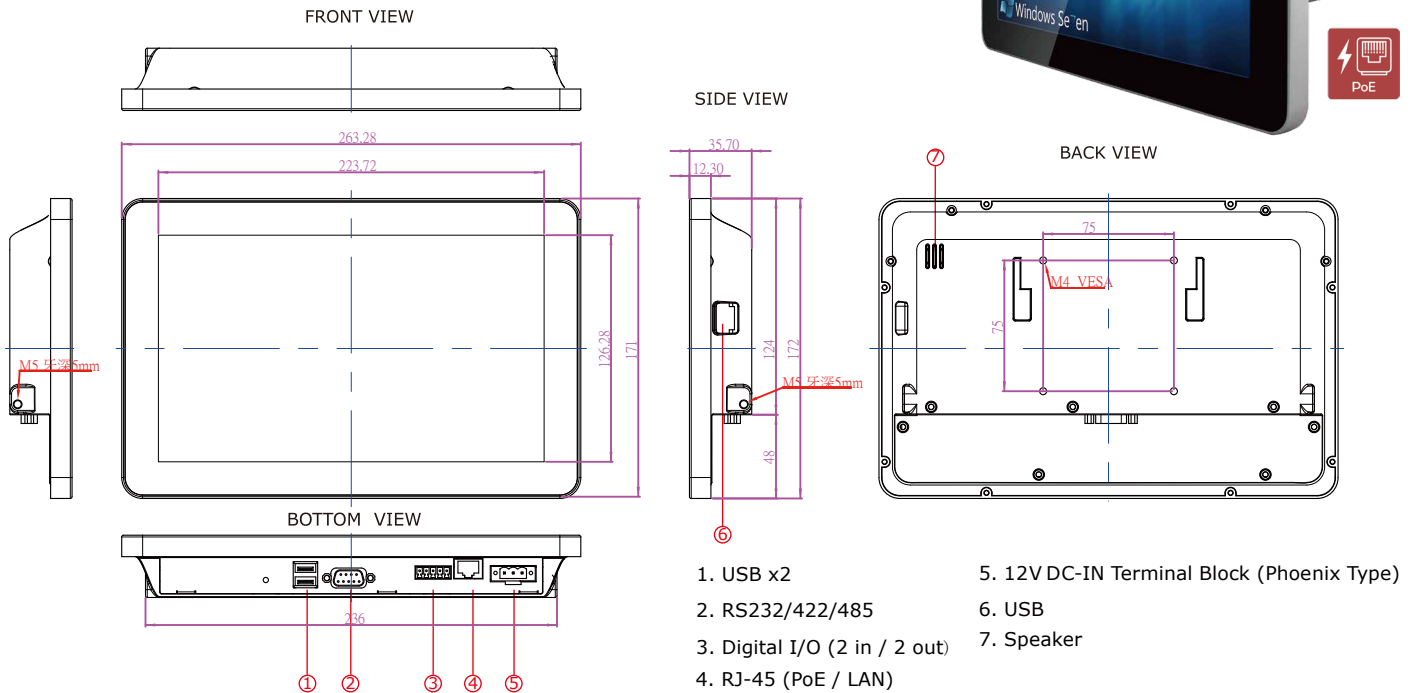


# 10.1" S-Series HMI - W10ID3S-PCH1-PoE (with PoE / DIO)

## Features

- 10.1" 1024 x 600 Resolution with Projected Capacitive Multi-Touch (P-CAP)
- Low-Power system with Intel Atom N2600 processor
- Fanless cooling system and Ultra-low power consumption
- PoE (Power over Ethernet) Power Input Option
- Room Booking Schedule, Access Control, Room Information Display
- Front IP65 Water and Dust Proof



## Specifications

### System :

- Processor : Intel® Atom N2600 Dual Core 1.6GHz
- System Chipset : Intel® NM10 Chipset
- System Memory : 2GB SODIMM DDR3-800
- Storage : 32GB mSATA SSD
- LAN : Dual Broadcom BCM57780 GbE Controller

### Input / Output :

- Serial Ports : 1 x RS232/422/485
- USB Ports : 2 x USB 2.0 on bottom side  
: 1 x USB 2.0 on right side
- Ethernet : 1 x RJ 45-10/100/1000 Mbps (PoE)
- Speaker : 1 x 1 Watt Speaker

### Display Spec :

- Size/Type : 10.1" TFT (Wide screen)
- Resolutions : 1024x600
- Brightness : 450cd/m (typ.)
- Contrast Ratio : 800 : 1 (typ.)
- Viewing Angle : -75~80(H); -80~80(V)
- Max Colors : 16.7M
- Touch : Projected Capacitive Multi-Touch (P-CAP)

### Power Specifications :

- Power Input : 12V DC-IN, 3-Pin Terminal Block
- Power Over Ethernet : Power Device (PD)  
follows IEEE 802.3at (25 W)

### Mechanical Specification :

- Cooling System : Fanless design
- Mounting : VESA Mount (75x75mm), Panel Mount,  
Front Side Wall Mount
- Dimension (W x H x D) : 263.28 x 171 x 35.7 (mm)

### Environment Considerations :

- Operating Temperature : 0 °C to 50 °C
- Operating Humidity : 30% to 90%

### OSBSP Driver Support :

- Operation System\* : Windows Embedded Std.7-WS7P (Optional)  
: Windows 7 Professional Embedded (Optional)



### SCIGATE AUTOMATION (S) PTE LTD

No.1 Bukit Batok Street 22 #01-01 Singapore 659592  
 Tel: (65) 6561 0488 Fax: (65) 6562 0588  
 Email: sales@scigate.com.sg Web: www.scigate.com.sg  
 Business Hours: Monday - Friday 8.30am - 6.15pm

