

HMI PoE Panel PC

Model:W10ID3S-PMH1-PoE

Product Features:

- 10" TFT LCD with resistive touch screen
- Embedded Intel® Atom Dual-Core N2600 1.6Ghz processor
- Power Device
- Support Power over Ethernet(PD) IEEE 802.3at
- Fanless and Ultra-low power consumption
- Aluminium Front Bezel



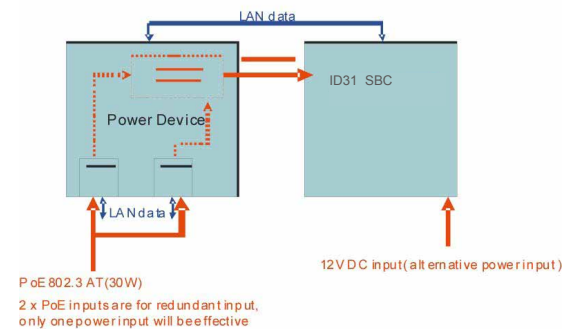
Product Specifications:

| | | |
|--------------------|--|---|
| Display | Model Name | W10ID3S-PMH1-PoE |
| | Size/Type | 10" TFT(LED Back Light) |
| | Resolution (pixels) | 1024 x 600 |
| | Number of Colors | 256 K |
| | Brightness (cd/m2) | 200 |
| | Contrast Ratio | 500:1 |
| System | Viewing Angle | -70~70 (H) ; -60~50 (V) |
| | Processor | Intel® Atom N2600 1.6GHz |
| | Chipset | Intel® NM10 |
| | Memory | 1 x SO-DIMM DDR3 800/1066 (max 4GB) |
| | LAN | Dual Realtek RTL8111B Gigabit LAN Controller |
| | Options | Intel® WG82574L GbE LAN Controller for WinCE 7.0 OS |
| Input / Output | Storage | 1 x Mini PCI-E SSD |
| | USB Port | 2 x USB |
| | Ethernet | 2 x RJ 45-10/100/1000, Power Device (PD): follows IEEE 802.3at (25 W) |
| | VGA | 1 x VGA (female) |
| | RS-232 | 1 x RS-232 COM Port |
| Power | RS-422/485 | 1 x *RS-232/422 / 485 COM Port (*Default RS-485) |
| | | *10.1" PPC needs either one port 802.3at PoE input |
| Power | Power Input | 12~24 V DC-IN Power input or receives PoE Power from RJ45 Connector |
| | Power consumption | 19W (typ.)(Max.backlight & high CPU load) |
| Environment | Operating Temperature | 0 deg.C to 50 deg.C |
| | Humidity | 30% to 90%(non condensing) |
| Support OS | Windows XP embedded / Windows 7 / Windows XPP Embedded / Linux | |
| | WinCE 7.0 Core Runtime / WinCE 7.0 Pro Runtime | |
| Accessories | External Adapter | 110~230V Ac-in Power Adapter |
| | Mechanical | Panel Mount |
| Default | Touch | 4 Wires Resistive |
| | CPU | N2600 1.6GHz |
| PoE Function | Storage | 1 x Mini PCI-E SSD 16GB |
| | RAM | 1 x SO-DIMM DDR3 2GB |
| Testing PoE Router | Require IEEE 802.3at 25W power input | |
| | Power Device PD (Power-input) | |
| | Winmate has tested this PD Product with D-Link DES-1008P and works perfectly | |

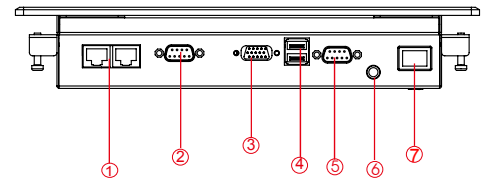
Panel Mount
6mm Front bezel

Block diagram:

PD(Power Device)

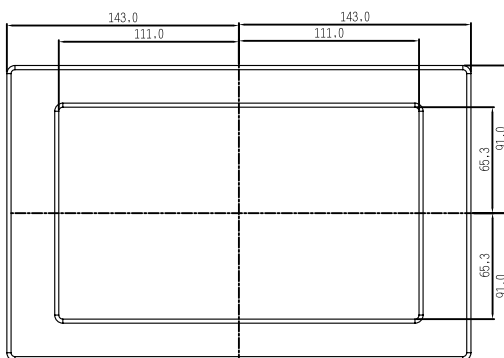


I / O View:

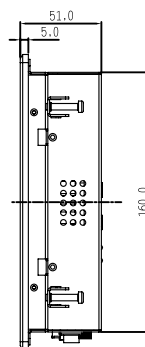


1. 2 x RJ-45 with PoE function
2. RS232
3. VGA Out
4. 2 x USB
5. RS-485 (Default)
6. 12 ~ 24V DC-IN
7. Power Button

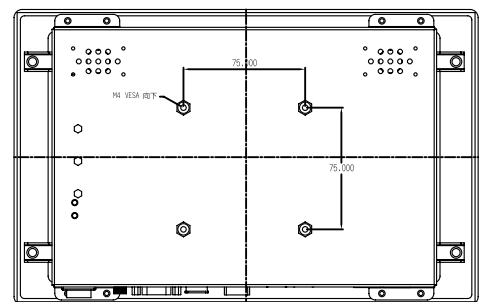
Dimensions:



Side View



Back View



Total dention: L x H x D=286 x 182 x 51mm

- Cutout dention: 239 x 170mm
- Note: this is a simplified drawing and some components are not marked in detail.
- Please contact our sales representative if you need further product information