

## GC65 Display

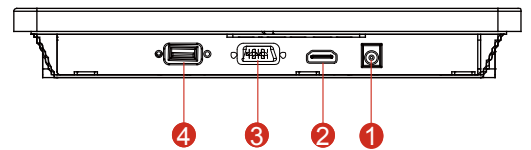


### 10.1"

#### Specifications

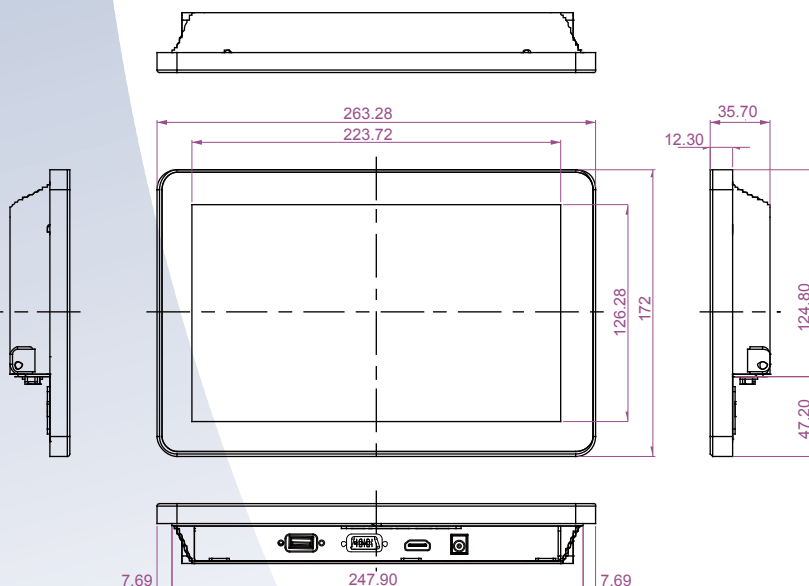


Model Name	W10L100-GCH1(HB)
Viewable Size Image	10.1" TFT (Widescreen)
Active Display Area(mm)	222.72 (H) x 125.28 (V)
Display Resolution	1024x600
Pixel Pitch(mm)	0.2175 (H) x 0.2088 (V)
Recommended Resolution	1024 x 600
Contrast Ratio	800:1 (typ.)
Brightness(cd/m <sup>2</sup> )	450 cd/m <sup>2</sup> (typ.)
Viewing Angle(CR>=10)	-75~80 (H); -80~80 (V)
Power Source	12V DC with External AC to DC Adapter (100~240V AC), Optional 9-36V DC
Power Consumption	15W typical, normal operation
Power Management	VESA DPMS Compliant
Plug & Play	Yes
Input Ports	1 x 12V DC, 1 x VGA, 1 x HDMI, 1 x Touch(USB)
Touch Screen	Projective Capacitive Touch(USB) (optional protection glass)
Operating Temperature	-15°C~55°C
Storage Temperature	-30°C~70°C
Operating Humidity	10%~95% (non-condensing)
IP Rating	Front IP65
Certifications & Standards	CE, FCC



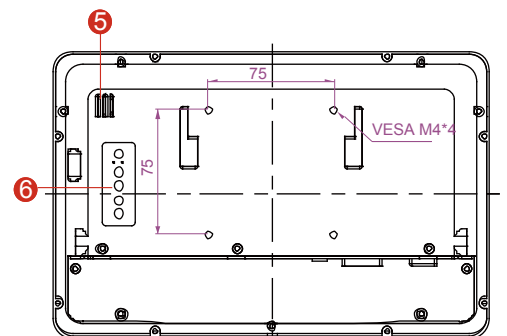
1. 12V DC in (Optional 9-36V DC)
2. HDMI
3. VGA
4. Touch (USB)
5. 1W Speaker
6. OSD Control Panel

#### Mechanical Drawing



#### SCIGATE AUTOMATION (S) PTE LTD

No.1 Bukit Batok Street 22 #01-01 Singapore 659592  
 Tel: (65) 6561 0488 Fax: (65) 6562 0588  
 Email: sales@scigate.com.sg Web: www.scigate.com.sg  
 Business Hours: Monday - Friday 8.30am - 6.15pm



UNIT:mm