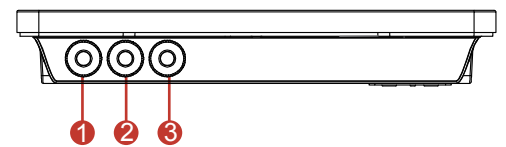


GS65 Display



1. 9~36V DC (M12 type)
2. VGA (M12 type)
3. USB For Touch(M12 type),
only with Touch
4. OSD Power

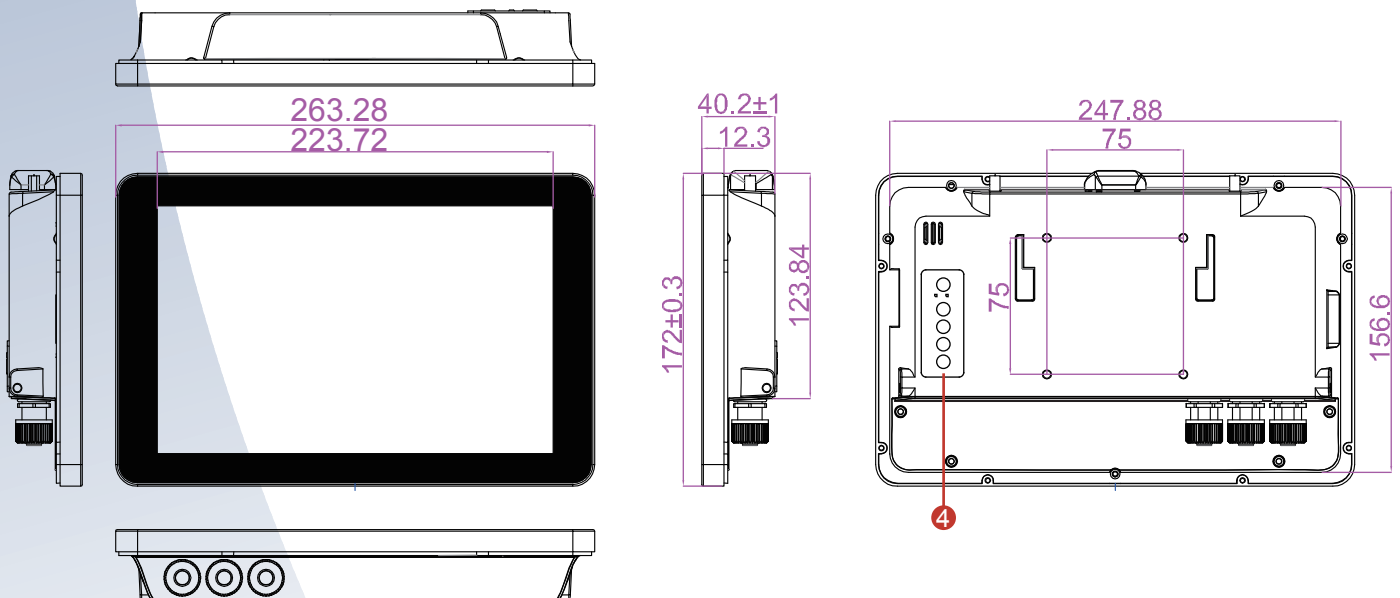
10.1"

Specifications



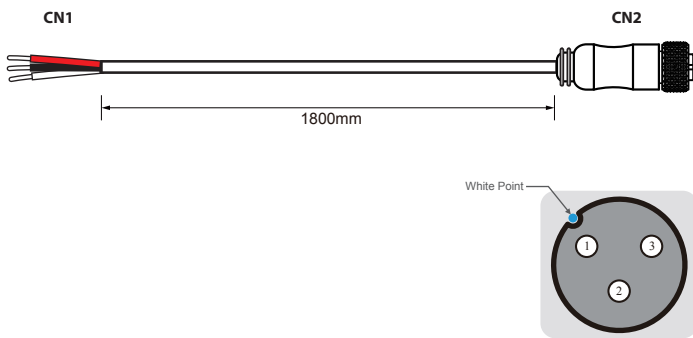
| | |
|--------------------------------|---|
| Model Name | W10L100-GSH1(HB) |
| Viewable Size Image | 10.1" TFT (Widescreen) |
| Active Display Area(mm) | 222.72 (H) x 125.28 (V) |
| Display Resolution | 1024x600 |
| Pixel Pitch(mm) | 0.2175 (H) x 0.2088 (V) |
| Recommended Resolution | 1024 x 600 |
| Contrast Ratio | 800:1 (typ.) |
| Brightness(cd/m ²) | 450 cd/m ² (typ.) |
| Viewing Angle(CR>=10) | -75~80 (H); -80~80 (V) |
| Power Source | 9~36V DC (M12 type) |
| Power Consumption | 15 W typical, normal operation |
| Power Management | VESA DPMS Compliant |
| Plug & Play | Yes |
| Input Ports | 1 x VGA, 1 x USB for Touch |
| Touch Screen | Projective Capacitive Touch(USB) (optional protection glass) |
| Operating Temperature | -15°C~55°C |
| Storage Temperature | -30°C~70°C |
| Operating Humidity | 10%~95% (non-condensing) |
| IP Rating | Full IP65 |
| Shock Operating | 30g for 18ms, 300m/s ² |
| Vibration Operating | 1.60/1.96/2.18 g rms for XYZ/ 5-500Hz |
| Certifications & Standards | Compliant with MIL-STD-810F/G for vibration / shock, CE, FCC |

Mechanical Drawing



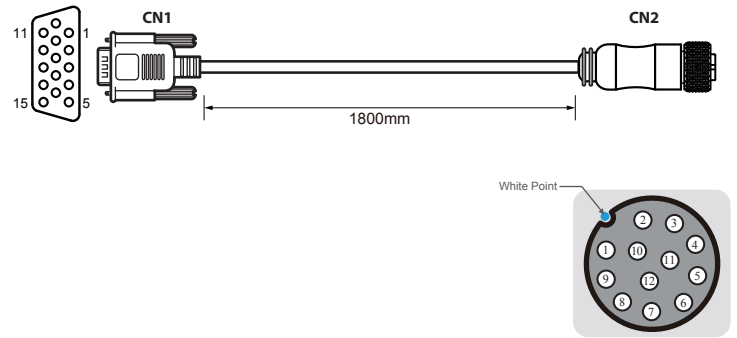
GS65 Display

M12 Power Cable



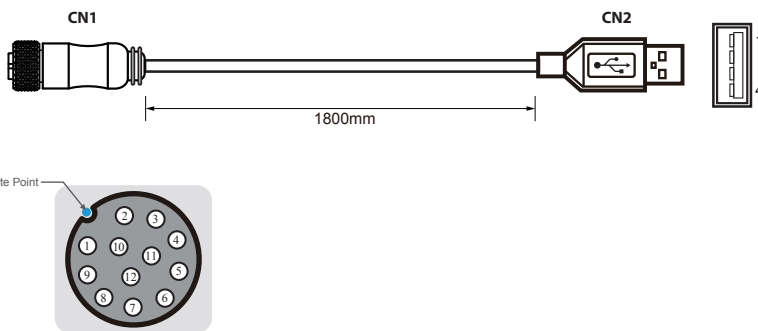
| Pin No. | Symbols | Color | ↔ | Pin No. | Symbols | Color |
|---------|---------|-------|---|---------|---------|-------|
| CN1-1 | VCC+ | Red | | CN2-1 | VCC+ | Red |
| CN1-2 | GND | Black | | CN2-2 | GND | Black |
| CN1-3 | VCC- | White | | CN2-3 | VCC- | White |

VGA Cable



| Pin No. | Symbols | Color | ↔ | Pin No. | Symbols | Color |
|---------|---------|--------|---|---------|---------|--------|
| CN1-1 | R | Red | | CN2-1 | R | Red |
| CN1-6 | R-GND | Black | | CN2-2 | R-GND | Black |
| CN1-5 | G | Green | | CN2-3 | G | Green |
| CN1-7 | G-GND | Black | | CN2-4 | G-GND | Black |
| CN1-3 | B | Blue | | CN2-5 | B | Blue |
| CN1-8 | B-GND | Black | | CN2-6 | B-GND | Black |
| CN1-12 | SDA | Yellow | | CN2-7 | SDA | Yellow |
| CN1-13 | HS | Orange | | CN2-8 | HS | Orange |
| CN1-14 | VS | White | | CN2-9 | VS | White |
| CN1-15 | SCL | Brown | | CN2-10 | SCL | Brown |

USB for Touch Cable



| Pin No. | Symbols | Color | ↔ | Pin No. | Symbols | Color |
|---------|---------|-------|---|-----------|---------|-------|
| CN1-2 | VCC | Red | | CN2-1 | VCC | Red |
| CN1-3 | D- | White | | CN2-2 | D- | White |
| CN1-4 | D+ | Green | | CN2-3 | D+ | Green |
| CN1-5 | GND | Black | | CN2-4 | GND | Black |
| CN1-9 | GND | Black | | CN2 Shell | | Black |



SCIGATE AUTOMATION (S) PTE LTD

No.1 Bukit Batok Street 22 #01-01 Singapore 659592
 Tel: (65) 6561 0488 Fax: (65) 6562 0588
 Email: sales@scigate.com.sg Web: www.scigate.com.sg
 Business Hours: Monday - Friday 8.30am - 6.15pm