

Open Frame LCD

Open Frame LCD

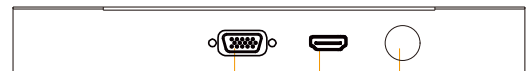
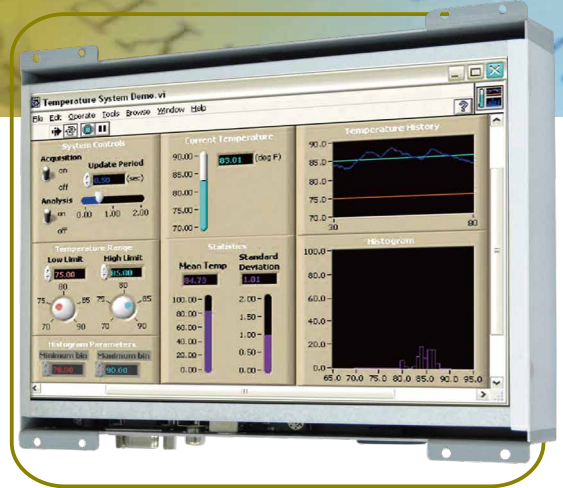
10.1" (16:9)

Specifications



Model Name	W10L100-OFH1
Panel Size	10.1"
Active Display Area(mm)	222.72 (H) x 125.28 (V)
Resolution	1024 x 600
Contrast Ratio	800:1 (Typical)
Display Colors	16.7M (8 bits/color)
Brightness(cd/m2)	450 (Typical)
Viewing Angles(CR>=10)	-80~80(H) ; -80~75(V)
Standard Input Signal	1 x VGA (D-sub 15) 1 x HDMI (Type-A)
Touch Screen(Optional-1)	Resistive Touch Protective Glass
Touch Interface	USB / RS232
Audio / Speakers (Optional)*	Audio line in (3.5mm) + Speaker x2
OSD	5 Keys: -, +, Power, Esc, Enter
Storage Temperature	-10~60 °C
Power Input	12V DC input (2.5ψ) with external AC-DC Adapter (100V~240V)
Power Consumption	10W typical, Normal operation
Operating temperature	0~50°C
Storage Temperature	-10~60 °C
Accessories	Power AC-DC Adapter(100V~240V) VGA cable (1.8m) HDMI cable (2m)

*Outside dimension and I/O will be different from standard



1. VGA
2. HDMI
3. 12V DC In

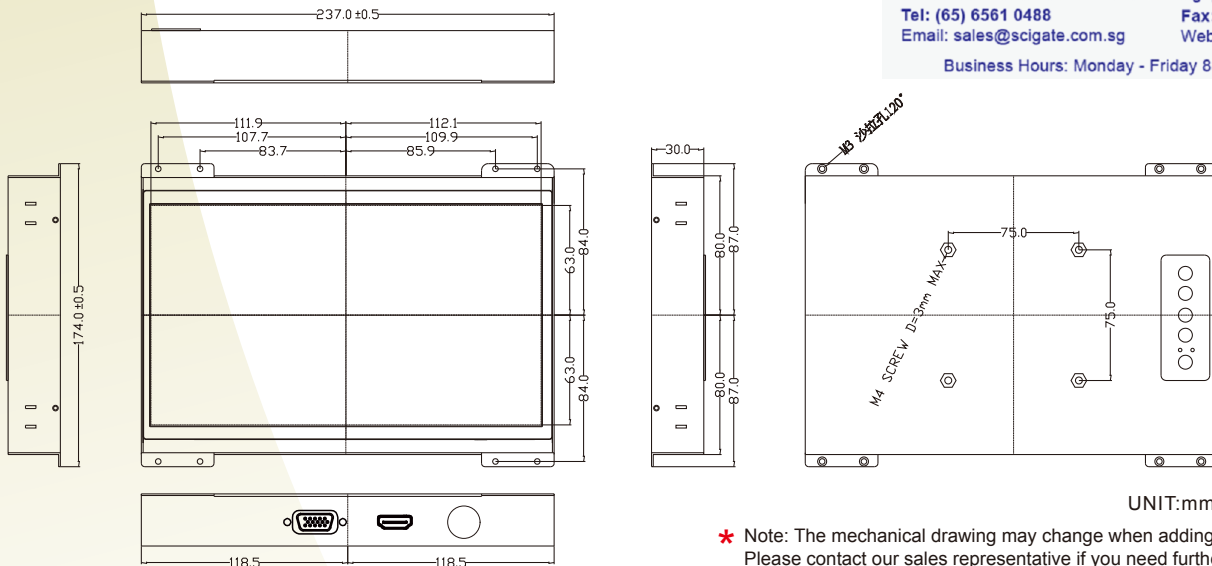
I/O Optional	
Optional 1*	1 x VGA (D-sub 15) 1 x HDMI (Type-A) 1 x DVI-D
Optional 2*	1 x VGA (D-sub 15) 1 x DVI-D 1 x S-Video 1 x Composite



SCIGATE AUTOMATION (S) PTE LTD

No.1 Bukit Batok Street 22 #01-01 Singapore 659592
 Tel: (65) 6561 0488 Fax: (65) 6562 0588
 Email: sales@scigate.com.sg Web: www.scigate.com.sg
 Business Hours: Monday - Friday 8.30am - 6.15pm

Mechanical Drawing (without touch)



* Note: The mechanical drawing may change when adding touch screen. Please contact our sales representative if you need further product information.