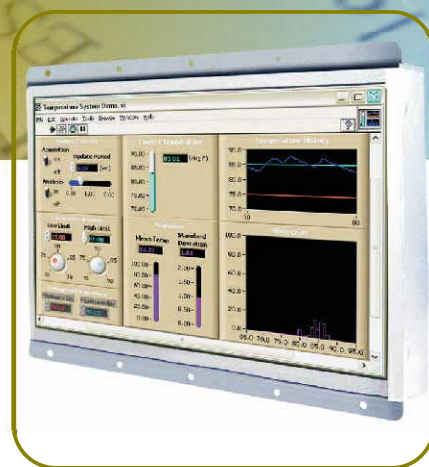


# Open Frame LCD

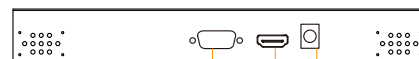
## Open Frame LCD

### 12.1" (16:10)

#### Specifications



Model Name	W12L100-OFM9HB
Panel Size	12.1"
Active Display Area(mm)	261.12(H)x163.2(V)
Resolution	1280x800
Brightness(cd/m2)	1000 (Typical)
Contrast Ratio	1000:1 (Typical)
Viewing Angles(CR>=10 L/R/U/D)	-88~88(H) ; -88~88(V)
Display Colors	16.2M (6 bits/color)
Standard Input Signal	1 x VGA (D-sub 15) 1 x HDMI (Type-A)
Touch Screen(Optional-1)	Resistive Touch Protective Glass
Touch Screen(Optional-2)*	SAW Touch (Surface Acoustic Wave)
Touch Interface	USB / RS232
Audio / Speakers (Optional)*	Audio line in (3.5mm) + Speaker x2
OSD	5 Keys: -, +, Power, Esc, Enter
Power Input	12V DC input (2.5ψ) with external AC-DC Adapter (100V~240V)
Power Consumption	20W typical, Normal operation
Operating temperature	0~50°C
Storage Temperature	-10~60°C
Accessories	Power AC-DC Adapter(100V~240V) VGA cable (1.8m) HDMI cable (2m)



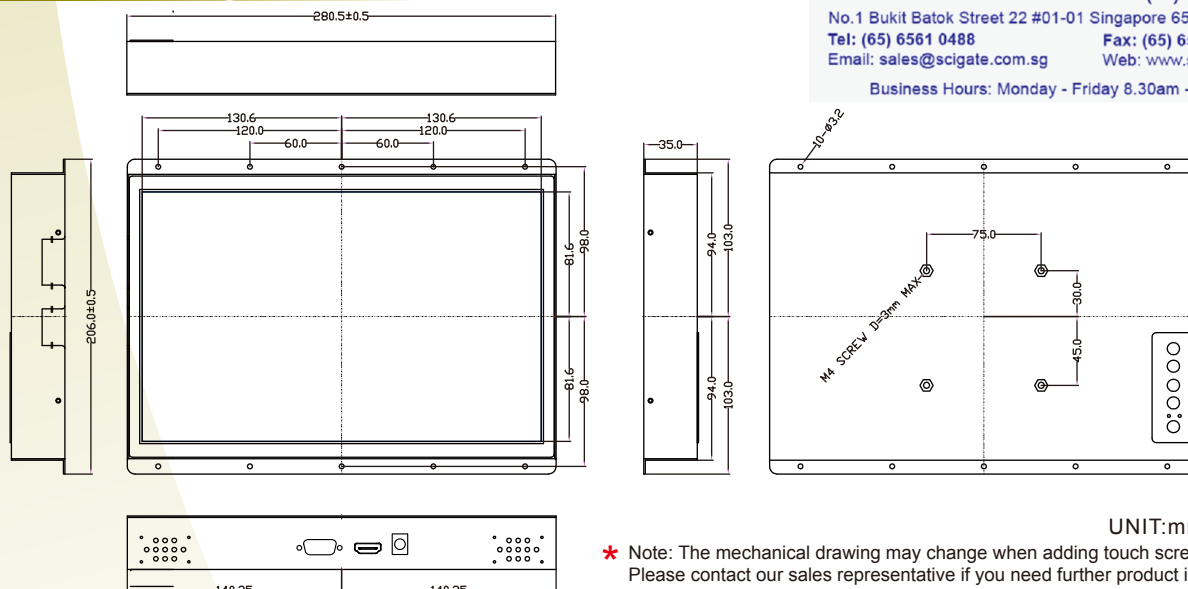
1. VGA
2. HDMI
3. DC input

#### I/O Optional

Optional 1*	1 x VGA (D-sub 15) 1 x HDMI (Type-A) 1 x DVI-D
Optional 2*	1 x VGA (D-sub 15) 1 x DVI-D 1 x S-Video 1 x Composite

\*Outside dimension and I/O will be different from standard

#### Mechanical Drawing



UNIT:mm

\* Note: The mechanical drawing may change when adding touch screen. Please contact our sales representative if you need further product information.



**SCIGATE**  
Your Automation Partner

**SCIGATE AUTOMATION (S) PTE LTD**  
No.1 Bukit Batok Street 22 #01-01 Singapore 659592  
Tel: (65) 6561 0488 Fax: (65) 6562 0588  
Email: sales@scigate.com.sg Web: www.scigate.com.sg  
Business Hours: Monday - Friday 8.30am - 6.15pm