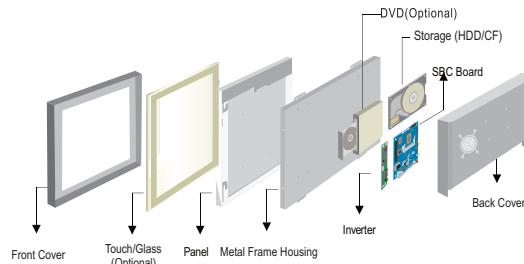


W15ID7T-CHA2 15.6" Panel PC (Intel® Atom Dual Core D2550 + NM10 Platform)

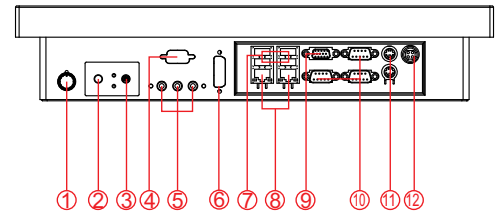
Mechanical Design



Chassis

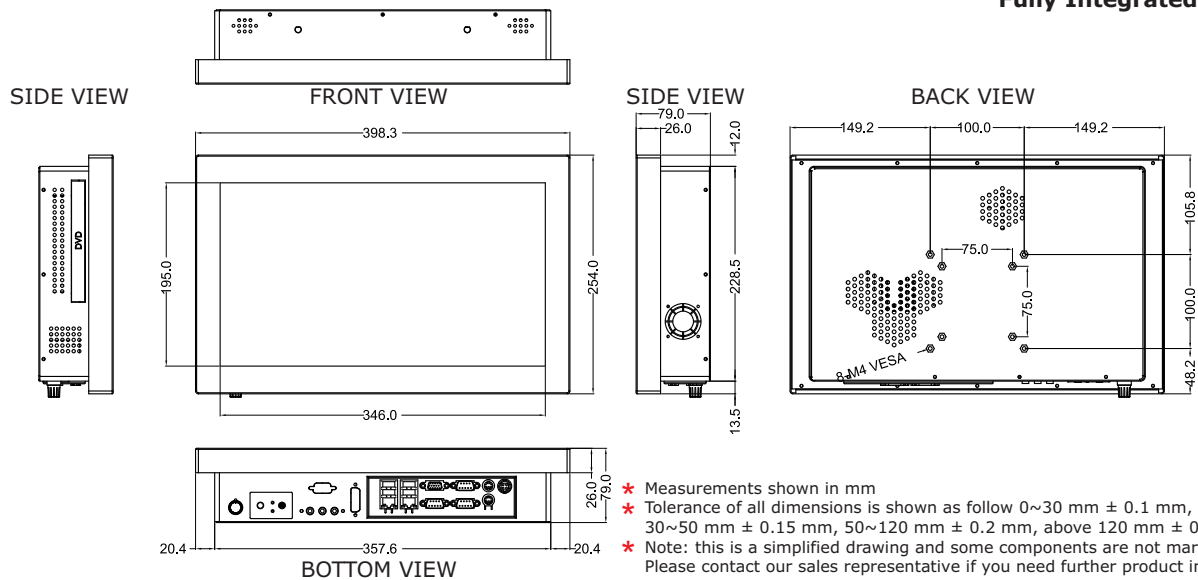


Mechanical design



- | | |
|-------------------------------|------------------|
| 1. Brightness Adjustment Knob | 7. USB |
| 2. Power On Button | 8. LAN |
| 3. Power Reset Button | 9. VGA |
| 4. RS-232 Conn. (Optional) | 10. RS-232 Conn. |
| 5. Audio Jack | 11. PS/2 |
| 6. DVI (Optional) | 12. 12V DC-in |

Dimensions



Fully Integrated I/O

- * Measurements shown in mm
- * Tolerance of all dimensions is shown as follow 0~30 mm ± 0.1 mm, 30~50 mm ± 0.15 mm, 50~120 mm ± 0.2 mm, above 120 mm ± 0.25 mm
- * Note: this is a simplified drawing and some components are not marked in detail. Please contact our sales representative if you need further product information.

Specifications

System :

- CPU : Intel® Atom Dual Core D2550 1.86GHz Processor
- Memory Slot : DDR3 1600 MHZ SO-DIMM Slot, Max, 4GB
- System Chipset : NM10
- IDE/SATA : 2XSATA
- LAN : Dual Broadcom BCM57780 BbE controller
- Audio Codec : Realtek ALC886 HD Audio Codec

Panel Spec :

- Size/Type : 15.6" TFT LCD
- Resolutions : 1366 x 768
- Brightness : 300 cd/m²(typ.)
- Contrast Ratio : 500 : 1(typ.)
- Viewing Angle s : -85~85(H);-80~80(V)
- Max Colors : 16.7M

Input / Output :

- Serial Ports : 2 x RS232, 1 x RS232/422/485
- USB Ports : 4 x USB
- Keyboard / Mouse : 2 x PS/2
- Ethernet : 2 x RJ45-10/100/1000Mbps
- VGA : 1 x VGA (female)

• Default setting:RS232

Environment Considerations :

- Operating Temperature : 0 deg.C to 50 deg.C
- Operating Humidity : 30% to 90% (non condensing)

OS BSP / Driver Support :

- Support Windows 7 embedded / Windows XP embedded

Power Specifications :

- Power Input : 12V DC IN
- Power Consumption : 58W (typ.)(Max.backlight & high CPU load)

Accessories :

- External Adapter : 110~240V Ac-in Power Adapter

Order Options :

- | | |
|-------------------------------------|------------------------------------|
| Mechanical : Open Frame | Storage : 2.5" HDD/2.5" SSD |
| Panel Mount(5mm bezel) | RAM : DDR3 1600 Max 4GB |
| IP65(10mm bezel) | OS : Windows 7 embedded / |
| Chassis | Windows XP embedded |
| Touch : 5 Wires Resistive(Optional) | (Optional) |

(A customized housing is needed if you have demands of SAW/IR/IT/SC touch)



SCIGATE AUTOMATION (S) PTE LTD

No.1 Bukit Batok Street 22 #01-01 Singapore 659592
 Tel: (65) 6561 0488 Fax: (65) 6562 0588
 Email: sales@scigate.com.sg Web: www.scigate.com.sg

Business Hours: Monday - Friday 8.30am - 6.15pm



Note: All Specifications are subject to change without prior notice!

date: 03-Jun-2016 V1.1