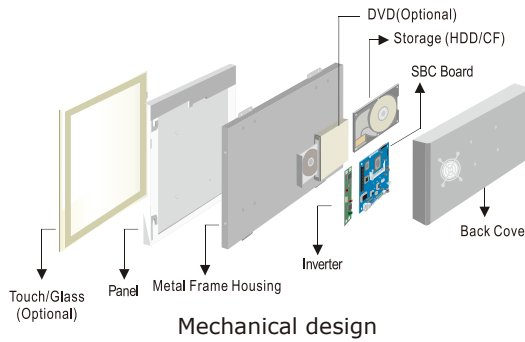


# W22IV7T-OFA3 21.5" Panel PC (Intel® 3rd Generation Core™ i7/i5/i3)

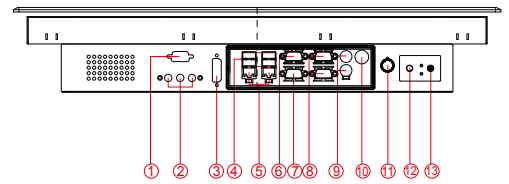
Mechanical Design



Open Frame



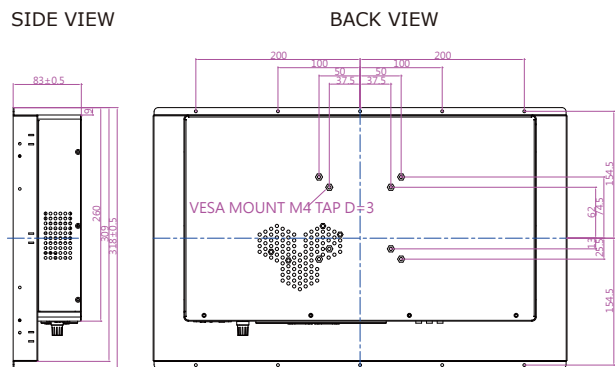
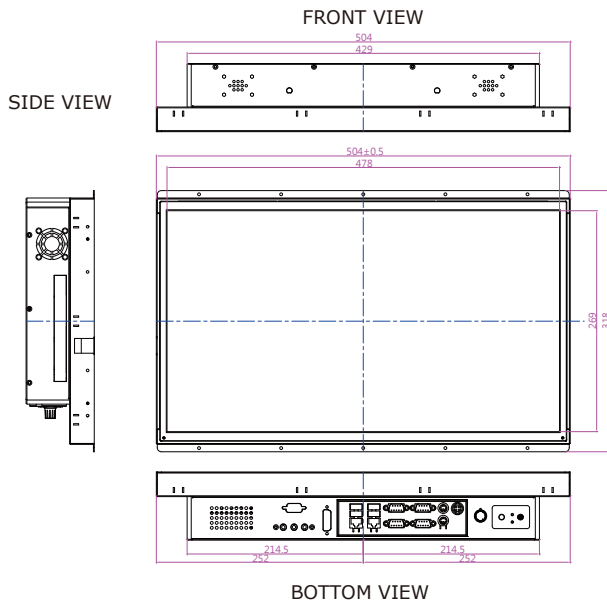
Mechanical design



1. RS-232 (Optional)
2. Audio Jack
3. DVI (Optional)
4. USB
5. LAN
6. VGA
7. RS-232/422/485
8. RS-232
9. PS/2
10. 12V DC-in Power Jack
11. Brightness Adjustment Knob
12. Power On Button
13. Power Reset Button

Fully Integrated I/O

Dimensions



- \* Measurements shown in mm
- \* Tolerance of all dimensions is shown as follow 0~30 mm ± 0.1mm, 30~50 mm ± 0.15 mm, 50~120 mm ± 0.2 mm, above 120 mm ± 0.25 mm
- \* Note: this is a simplified drawing and some components are not marked in detail. Please contact our sales representative if you need further product information.

## Specifications

System	
CPU	: Intel® 3rd Generation Core™ i7/i5/i3
Memory	: 2 x SO-DIMM, Max 16GB DDR3 1333/1600
System Chipset	: Intel® HM76 Chipset
Storage	: 1 x SATAIII, 1 x SATAII, 1 x mSATA
LAN	: Dual Broadcom BCM57780 GbE
Audio Codec	: Realtek ALC888 HD Audio Codec

Panel Spec	
Size/Type	: 21.5" TFT
Resolutions	: 1920 x 1080
Brightness	: 250 cd/m <sup>2</sup> (typ.)
Contrast Ratio	: 1000 : 1 (typ.)
Viewing Angles	: -89~89 (H) ; -89~89 (V)
Max Colors	: 16.7M(8bits/colors)

Input / Output	
Serial Ports	: 2 x RS232, 1 x RS232 (Default) / 422 / 485
USB Ports	: 4 x USB 3.0
Keyboard / Mouse	: 2 x PS/2
Ethernet	: 2 x RJ 45 Gbit
VGA	: 1 x VGA (female)
Audio	: Line-Out, Line-In, Mic in
DVI	: 1 x DVI (optional)

Environment Considerations	
Operating Temperature	: 0°C to 50°C
Operating Relative Humidity	: 30% to 90% (non condensing)

Expansion Slot	
	: 1 x PCI-E(x16), 2 x Mini PCI-E

OS BSP / Driver Support	
Support	: Windows 10 IoT Enterprise / Windows 8 Embedded / Windows 7 Embedded / Windows XP Embedded

Power Specifications	
Power Input	: 12V DC IN (Lockable Power Jack)
Power Consumption	: 98W (typ.) (Max. backlight & high CPU load)

Order Options	
Mechanical	: Open Frame
Touch	: 5 Wires Resistive(Optional)
CPU	: Check with Sales
RAM	: SO-DIMM DDR3
Storage	: 2.5" HDD/mSATA SSD
DVD	: Optional

(A customized housing is needed if you have demands of SAW/IR/IT/SC touch)

Accessories	
External Adapter	: 110~240V AC-in power adapter

**SCIENCE GATE**  
Your Automation Partner

**SCIGATE AUTOMATION (S) PTE LTD**  
No.1 Bukit Batok Street 22 #01-01 Singapore 659592  
Tel: (65) 6561 0488 Fax: (65) 6562 0588  
Email: sales@scigate.com.sg Web: www.scigate.com.sg  
Business Hours: Monday - Friday 8.30am - 6.15pm

