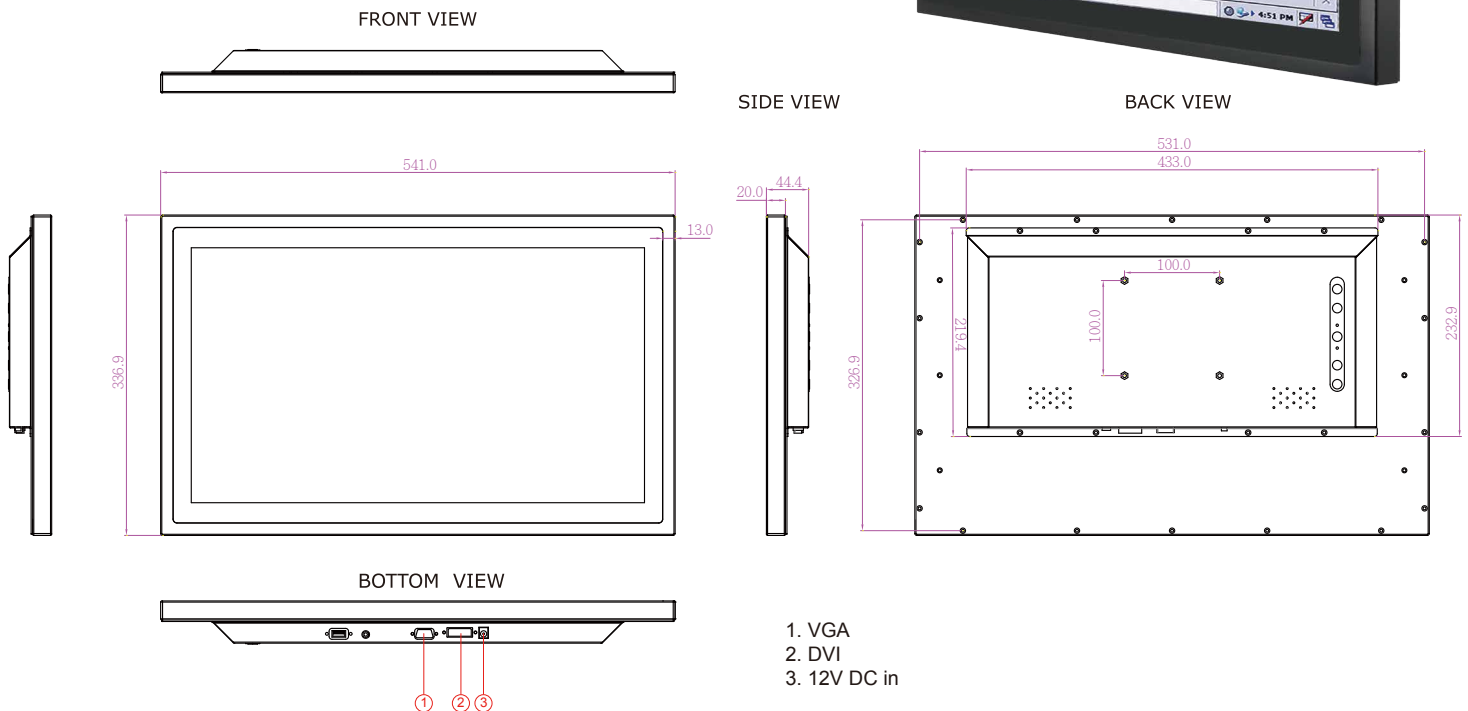


21.5" P-Cap Chassis Display - W22L100-PCA3

Features

- 21.5" 1920 x 1080 Resolution
- Projected Capacitive Multi-Touch (P-Cap)
- Front IP65 Water and Dust Proof
- VGA input and variety of optional connectors
- USB port for touch
- Stylish and elegant design



Specifications

Display Specifications :

- | | |
|------------------|--------------------------------------------|
| • Size / Type | : 21.5 " TFT |
| • Resolution | : 1920x1080 |
| • Brightness | : 250 (typ.) |
| • Contrast Ratio | : 3000:1 (typ.) |
| • Viewing Angle | : 170 (H); 160 (V) |
| • Max Colors | : 16.7M (8bits/color) |
| • Touch Screen | : Projected Capacitive Multi-Touch (P-CAP) |

Power Considerations

- | | |
|---------------------|--------------------------------------------------------|
| • Power Input | : DC 12V input, with External AC-DC Adapter (100-240V) |
| • Power Consumption | : 40W typical, normal operation |

Environment

- | | |
|-------------------------|------------------------------|
| • Operating Temperature | : -10 °C to 55 °C |
| • Operating Humidity | : 5% to 95% (non-condensing) |
| • IP Rating | : Front IP65 |

Input / Output

- | | |
|---------------|---------------------------------------|
| • Input Ports | : 1 x VGA
1 x DVI
1 x 12V DC in |
|---------------|---------------------------------------|

Mechanical Specification

- | | |
|--------------------------|--------------------------|
| • Cooling System | : Fanless design |
| • Mounting | : VESA Mount (100x100mm) |
| • Dimensions (W x H x D) | : 541 x 336.9 x 44.4 mm |

Accessory

- Vesa Desk Stand (Optional)



SCIGATE AUTOMATION (S) PTE LTD
 No.1 Bukit Batok Street 22 #01-01 Singapore 659592
 Tel: (65) 6561 0488 Fax: (65) 6562 0588
 Email: sales@scigate.com.sg Web: www.scigate.com.sg
 Business Hours: Monday - Friday 8.30am - 6.15pm

