

24" Marine Bridge System Display

Model # W24L100-MRA1

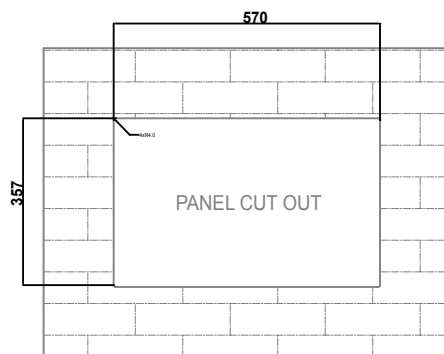
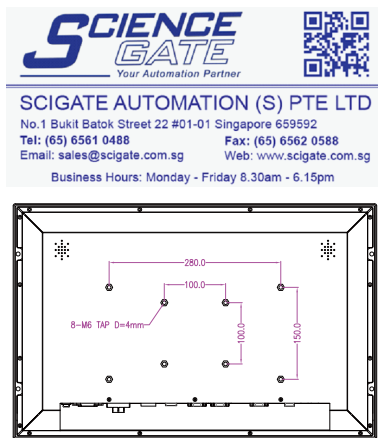
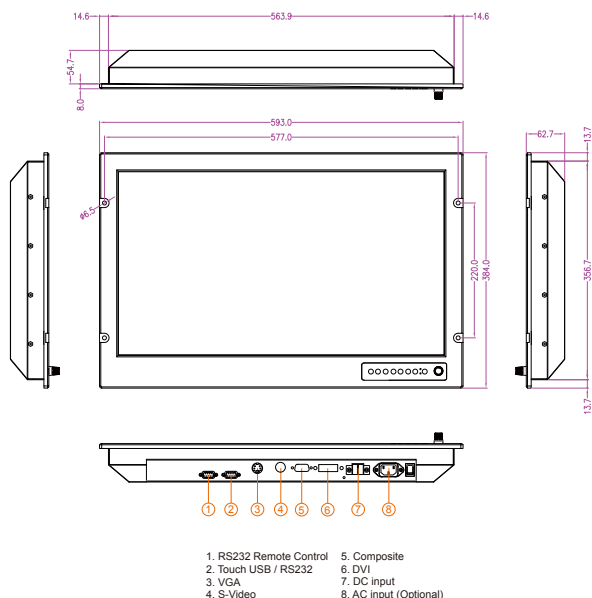
Features:



- Hyper Dimming : Dimming knob control backlight brightness from nearly 0% to 100%
- Anti-Corrosion & IP Proof : IP66 aluminum housing with powder coating design (IP54 rear)
- Wide Voltage Range Input : 24V DC Isolated Power Module approve by DNV
- Touchscreen/ Protection Glass : High quality touchscreen / AR protection glass for option
- IP65 OSD Font Panel Design : Ease of use front panel OSD control
- Anti-Shock and Vibration : Enhanced shock and vibration resistance



Mechanical Design Drawings



CUT OUT

* Note: this is a simplified drawing and some components are not marked in detail. Please contact our sales representative if you need further product information.

TFT Characteristics:

- Pixel Number : 1920 x 1080
- Pixel Pitch(RGB) : 0.276 (H) x 0.276 (V) mm
- Contrast Ratio : 5000:1 (typ.)
- Light Intensity : 250 cd/m² (typ.)
- Viewable Angles : 178 (H); 178 (V)
- Active Display Area : 531.36(H) x 298.89(V) mm
- Max Colors : 16.7M (8bit/colors)

Input Signals:

- RGB Signal : D-SUB 15P connector(female)
- Composite Video : RCA phone plug
- S-Video Signal : S-Video (SVHS) plug
- DVI-D Signal : DVI-D input 24pin connector
- DC Power Signal : Screw terminal block
- AC Power Signal (Optional) : Std IEC Inlet
- Touch Screen (Optional) : D-SUB 9P connector (female)
- Remote via RS-232 (Optional) : D-SUB 9P connector (female)

User Controls:

- Power On/Off via front button
- VR Brightness Knob Control
- Power Mode Status LED
- On Screen Display control(OSD)
- OSD Remote Control via RS-232

Power Specifications:

- Power Supply Options : 24V DC Isolated Power Modul
- Power Consumption : 80 W typical, normal operation

Mechanical and Environmental:

- Mechanical Mounting : Panel (Flush) mount with IP66*, VESA, Bracket mounting
- Operating Temperature : -15 to 55 deg.C
- Storage Temperature : -20 to 60°C
- Operating Humidity : 5% to 95% (non condensing)
- Anti-Vibration : 5Hz~500Hz / 1Grms/3 Axis
- Anti-Shock : 15G, 11ms duration

Available Options:

- Touch Screen Options : 5 Wire Resistive
- AR Safety Glass Options : 3mm Anti-reflective protection glass
- Multiscan Function : PIP function & multi-video inputs not by DNV approval

Certification and Approvals : CE,FCC,IEC60945,DNV2.4,IACS-E10



Note: All Specifications are subject to change without prior notice!

Revised date: 04-Jul-2017 V1.2