

# 24" Marine Bridge System Display

Model # W24L100-MRA1HB

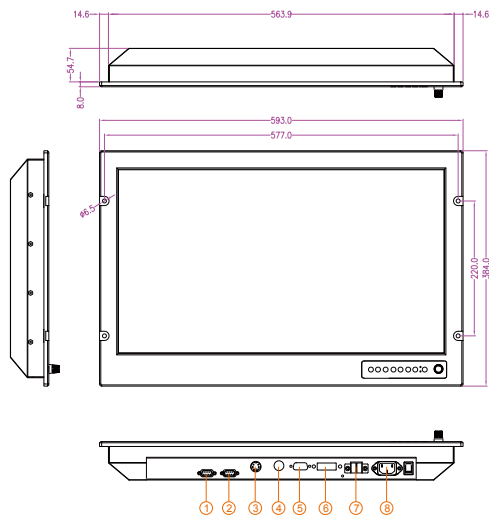
## Features:



- Hyper Dimming : Dimming knob control backlight brightness from nearly 0% to 100%
- Sunlight Readable : High Brightness technology enhance visibility
- Anti-Corrosion & IP Proof : IP66 aluminum housing with powder coating design (IP54 rear)
- Wide Voltage Range Input : 24V DC Isolated Power Module
- Touchscreen/ Protection Glass : High quality touchscreen / AR protection glass for option
- IP65 OSD Font Panel Design : Ease of use front panel OSD control
- Anti-Shock and Vibration : Enhanced shock and vibration resistance



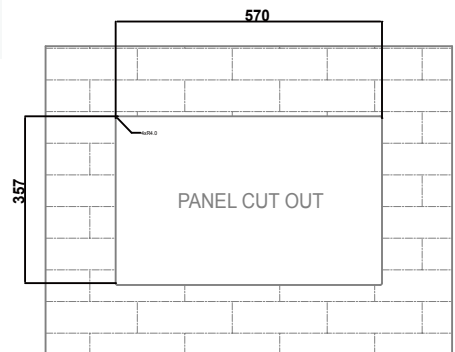
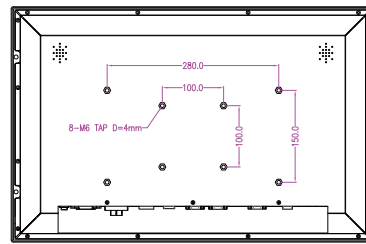
## Mechanical Design Drawings



1. RS232 Remote Control
2. Touch USB / RS232
3. VGA
4. S-Video
5. Composite
6. DVI
7. DC Input
8. AC input (Optional)



**SCIGATE AUTOMATION (S) PTE LTD**  
 No.1 Bukit Batok Street 22 #01-01 Singapore 659592  
 Tel: (65) 6561 0488 Fax: (65) 6562 0588  
 Email: sales@scigate.com.sg Web: www.scigate.com.sg  
 Business Hours: Monday - Friday 8.30am - 6.15pm



CUT OUT

\* Note: this is a simplified drawing and some components are not marked in detail. Please contact our sales representative if you need further product information.

## TFT Characteristics:

Pixel Number	: 1920 x 1080
Pixel Pitch(RGB)	: 0.276 (H) x 0.276 (V) mm
Contrast Ratio	: 5000:1 (typ.)
Light Intensity	: 1000cd/m <sup>2</sup> (typ.)
Viewable Angles	: 178 (H);178 (V)
Active Display Area	: 531.36(H) x 298.89(V) mm
Max Colors	: 16.7M (8bit/colors)

## Input Signals:

RGB Signal	: D-SUB 15P connector(female)
Composite Video	: RCA phone plug
S-Video Signal	: S-Video (SVHS) plug
DVI-D Signal	: DVI-D input 24pin connector
DC Power Signal	: Screw terminal block
AC Power Signal (Optional)	: Std IEC Inlet
Touch Screen (Optional)	: D-SUB 9P connector (female)
Remote via RS-232 (Optional)	: D-SUB 9P connector (female)
Certification and Approvals	: CE,FCC

## User Controls:

Power On/Off via front button  
 VR Brightness Knob Control  
 Power Mode Status LED  
 On Screen Display control(OSD)  
 OSD Remote Control via RS-232

## Power Specifications:

Power Supply Options : 24V DC Isolated Power Modul  
 Power Consumption : 80 W typical, normal operation

## Mechanical and Environmental:

Mechanical Mounting : Panel (Flush) mount with IP66\*, VESA, Bracket mounting  
 Operating Temperature : -10 to 55 deg.C  
 Storage Temperature : -20 to 60°C  
 Operating Humidity : 5% to 95% (non condensing)  
 Anti-Vibration : 5Hz~500Hz / 1Grms/3 Axis  
 Anti-Shock : 15G, 11ms duration

## Available Options:

Touch Screen Options : 5 Wire Resistive  
 AR Safety Glass Options : 3mm Anti-reflective protection glass  
 Multiscan Function : PIP function & multi-video inputs