

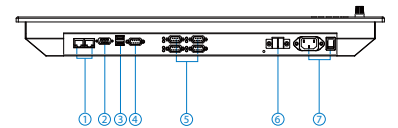
# 24" Marine Panel PC

Model#: W24L100-MRA1ID3S

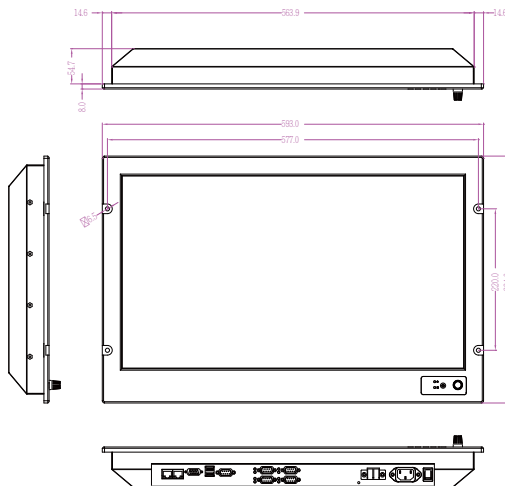


## Feature

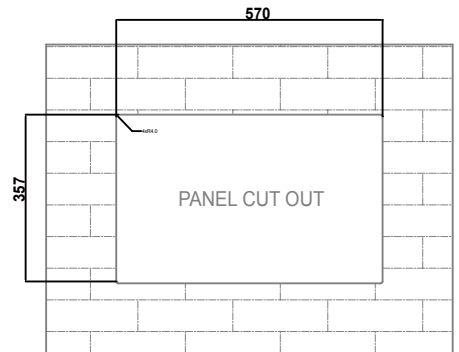
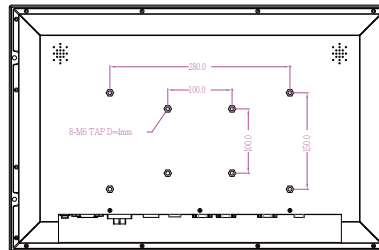
- 24" Full HD 1920 x 1080 TFT LCD
- Intel® Atom Dual Core N2600 1.6GHz
- 1 x SO-DIMM, max. 4GB DDR3 800/1066
- 4 x Isolated RS422/485 (optional)
- Integrated Dual Broadcom BCM57780 GbE Controller
- Isolated Power Module



1. 2 x RJ45
2. 1 x VGA out put
3. 2 x USB
4. 1 x RS232/422/485
5. 4 x RS232 (default) or 4 x Isolation-RS422/485 (optional)
6. 1 x 9~36V DC input
7. 1 x AC input (optional)



**SCIGATE AUTOMATION (S) PTE LTD**  
 No.1 Bukit Batok Street 22 #01-01 Singapore 659592  
 Tel: (65) 6561 0488 Fax: (65) 6562 0588  
 Email: sales@scigate.com.sg Web: www.scigate.com.sg  
 Business Hours: Monday - Friday 8.30am - 6.15pm



CUT OUT DIMENSION

\* Note: this is a simplified drawing and some components are not marked in detail. \*Please contact our sales representative if you need further product information.

### TFT Characteristics :

Pixel Number	: 1920 x 1080
Pixel Pitch(R&B)	: 0.276 (H) x 0.276 (V) mm
Contrast Ratio	: 5000:1(typ.)
Light Intensity	: 250 cd/m <sup>2</sup> (typ.)
Viewable Angle	: -89 ~ 89(H) ; -89~89(H)
Active Display Area	: 531.36 (H) x 298.89 (V) mm
Max Colors	: 16.7 (M) / 8 bit / colors

### SBC Specifications :

Processor	: Intel® Atom Dual Core N2600 1.6GHz
BIOS	: AMI 4Mbit Flash
System Chipset	: Intel NM10 express chipset
Memory Slot	: 1 x DDR3 800/1066MHz SODIMM,(Max 4GB)
Graphic Chipset	: Intel Graphic Accelerator 3650
Storage	: 1 x SATA2, 1 x Mini PCIe slot (mSATA SSD)
Ethernet	: 2x RJ-45(1000 Gigabit Ethernet Compatible)
VGA	: 1x VGA Connector
Audio	: Realtek ALC886 HD Audio Codec
USB Ports	: 6 x USB 2.0 (4 x USB by pin-header)
Serial Ports	: 4 x RS232, 1 x RS232/422/485

### Power Specifications :

Power Supply Options	: 9 to 36 V DC power supply with Terminal block (Default)
Power Consumption	: 100 W typical, normal operation

### Mechanical and Environmental

Mechanical Mounting	: Panel (Flush) mount with IP66*, VESA
Operating Temperature	: -15 to 55 deg.C
Operating Humidity	: 5% to 95%(non condensing)
Anti-Vibration	: 5Hz~500Hz / 1Grms / 3 Axis
Anti-Shock	: 15G,11ms duration

### Input / Output Connectors

Ethernet LAN	: 2 x RJ45-10/100/1000 Mbps
COM	: 1 x RS232/422/485
Expansion slot	: 4 x RS232 (default) or 4 x Isolated RS422/485 COM (optional)
USB	: 2 x USB Type-A receptable
VGA output	: 1 x VGA 15P D-SUB (female)
DC Power	: 1 x DC Terminal block

### Available Options

Touch Screen Options	: 5 Wire Resistive
AR Safety Glass Options	: 3mm Anti-reflective protection glass
Secondary SSD	: up to 256 GB mSATA SSD

### Certification and Approvals

· CE, FCC, DNV2.4, IEC60945, IACS-E10

