

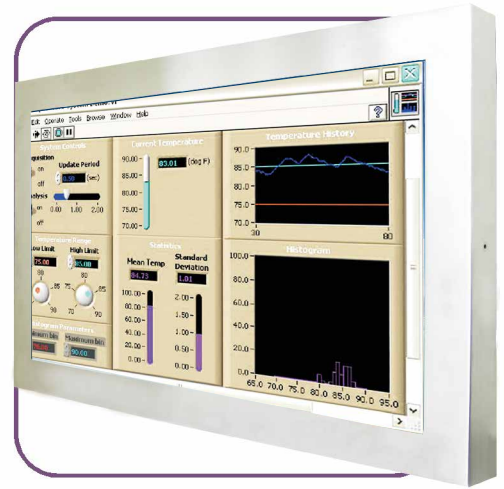
Full IP65 Chassis LCD

42" LED(Stainless Design)



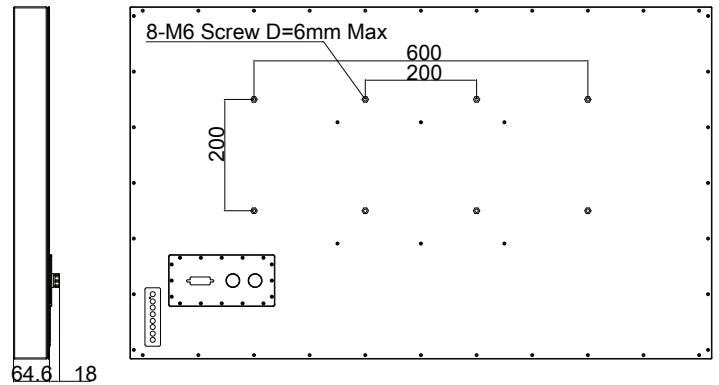
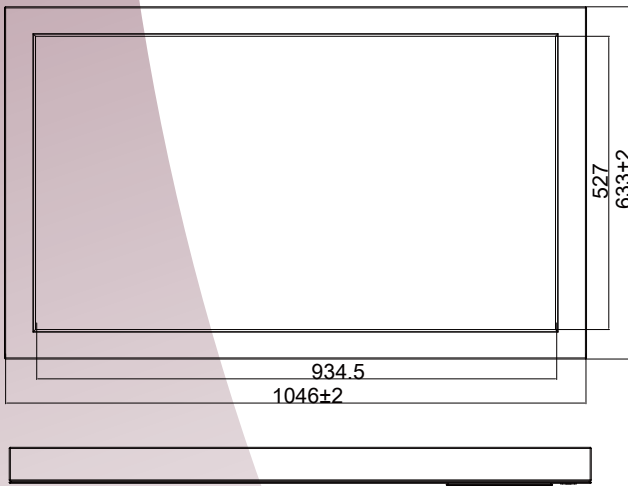
Specifications

Model Name	W42L100-65A3
Viewable Size Image	42"
Active Display Area(mm)	930.24 (H) x 523.26 (V)
Pixel Pitch(mm)	0.4845 (H) x 0.4845 (W)
Number of Pixels	1920x1080
Contrast Ratio	4000:1(typ.)
Display Color	16.7M (8bits/color)
Brightness(cd/m ²)	500(typ.)
Viewing Angle(CR>=10)	-89~89 (H); -89~89 (V)
Synchronization Range	
Horizontal/Vertical	47~63KHz / 60~73Hz
Recommended Resolution	1920x1080@60HZ
Signal Connector	10 pin IP65 Connector
I/O	3 pin Power cable(IP65 connector) 10 pin VGA cable(IP65 connector)
Power Source	AC100~240V, Universal, ± 10% (IP65 Connector)
Power Consumption	81W typical, normal operation
Power Management	VESA DPMS Compliant
Plug & Play	VESA DDC 1/2B
Optional Touch Screen	No(Glass only)



*Due to Panel material's deviation, different panel supplier will set different specific variance range to optical characteristics. The factors of time used, Lamp current, Ambient temperature will influence the optical measurements.

Mechanical Drawing

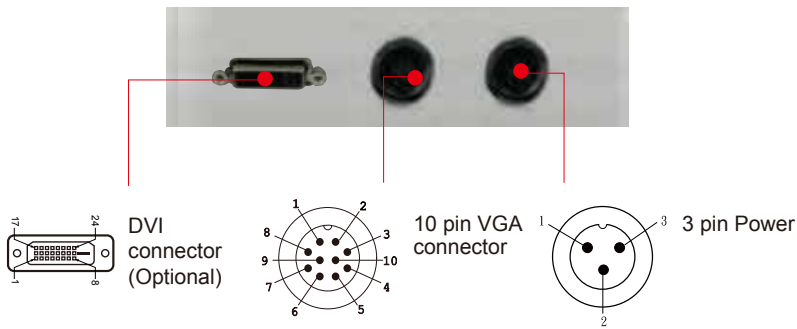


* Note: this is a simplified drawing and some components are not marked in detail. Please contact our sales representative if you need further product information.

Full IP65 Chassis LCD

IO Layout

Back Side (I/O)

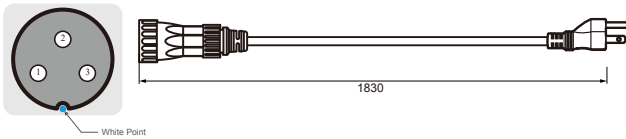


Cable List

LCD	IP65 connector	PC side IO type
Power cord	3pin	Power cord
IP65 VGA	10pin	Male (D-Sub 15)

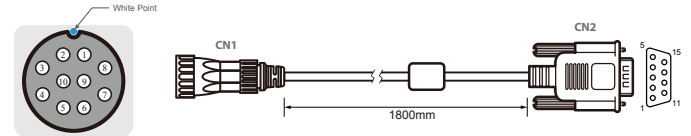
IP65 Cable/Pin Define

Power Cable



Pin No.	Symbols	Color
3	N	Black
2	L	White
1	E	Yellow Add Green

VGA Cable



CN1				CN2		
Pin No.	Symbols	Color		Pin No.	Symbols	Color
1	R	Red	↔	1	R	Red
2	R-GND	Black	↔	6	R-GND	Black
3	G	Green	↔	2	G	Green
4	G-GND	Black	↔	7	G-GND	Black
5	B	Blue	↔	3	B	Blue
6	B-GND	Black	↔	8	B-GND	Black
7	SDA	Yellow	↔	12	SDA	Yellow
8	HS	Orange	↔	13	HS	Orange
9	VS	White	↔	14	VS	White
10	SCL	Brown	↔	15	SCL	Brown
				4	HS-GDN	
				5	NC	
				9	NC	
				10	NC	
				11	VS-GDN	



SCIGATE AUTOMATION (S) PTE LTD

No.1 Bukit Batok Street 22 #01-01 Singapore 659592

Tel: (65) 6561 0488

Fax: (65) 6562 0588

Email: sales@scigate.com.sg

Web: www.scigate.com.sg

Business Hours: Monday - Friday 8.30am - 6.15pm