

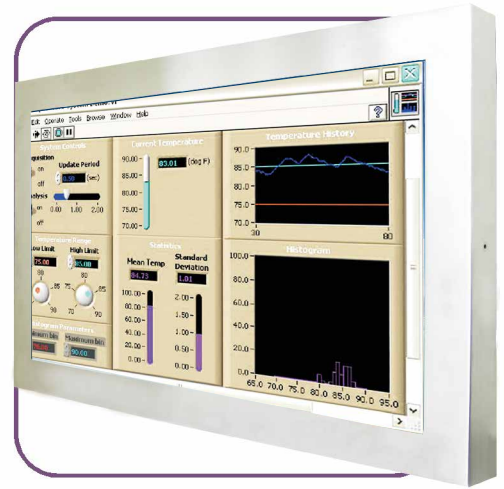
# Full IP65 Chassis LCD

## 42" LED(Stainless Design)



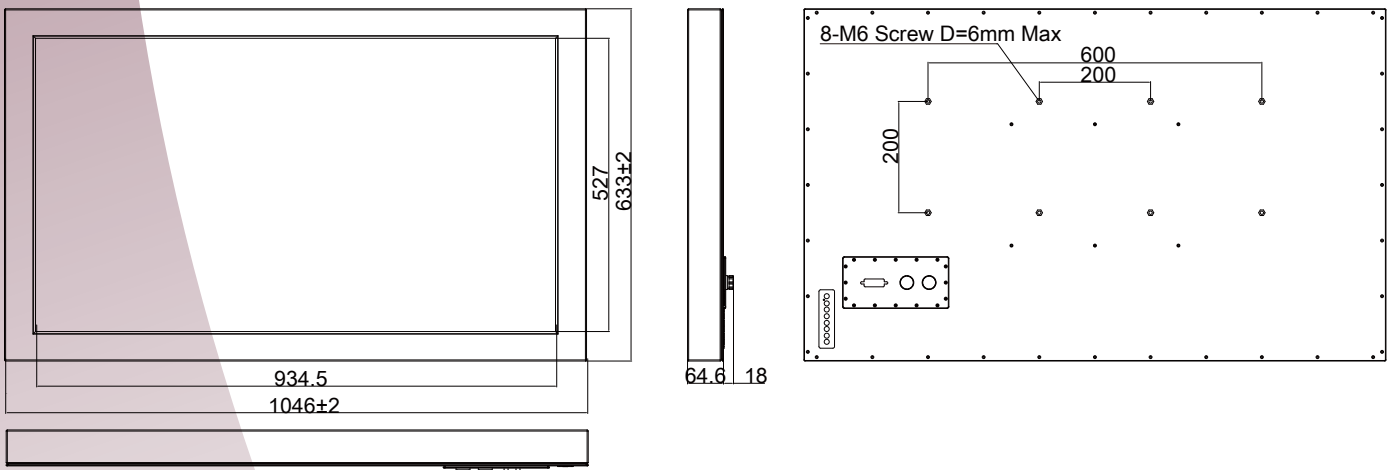
### Specifications

Model Name	W42L300-65A3
Viewable Size Image	42"
Active Display Area(mm)	930.24 (H) x 523.26 (V)
Pixel Pitch(mm)	0.4845 (H) x 0.4845 (W)
Number of Pixels	1920x1080
Contrast Ratio	4000:1(typ.)
Display Color	16.7M (8bits/color)
Brightness(cd/m <sup>2</sup> )	500(typ.)
Viewing Angle(CR>=10)	-89~89 (H); -89~89 (V)
Synchronization Range	
Horizontal/Vertical	47~63KHz / 60~73Hz
Recommended Resolution	1920x1080@60HZ
Signal Connector	10 pin IP65 Connector
I/O	3 pin Power cable(IP65 connector) 10 pin VGA cable(IP65 connector)
Power Source	DC 24V in, with External AC to DC Adapter (IP65 Connector)
Power Consumption	105W typical, normal operation
Power Management	VESA DPMS Compliant
Plug & Play	VESA DDC 1/2B
Optional Touch Screen	No(Glass only)



\*Due to Panel material's deviation, different panel supplier will set different specific variance range to optical characteristics. The factors of time used, Lamp current, Ambient temperature will influence the optical measurements.

### Mechanical Drawing

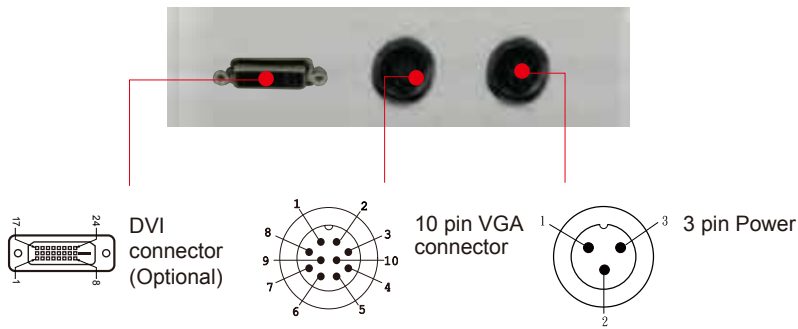


\* Note: this is a simplified drawing and some components are not marked in detail. Please contact our sales representative if you need further product information.

# Full IP65 Chassis LCD

## IO Layout

### Back Side (I/O)

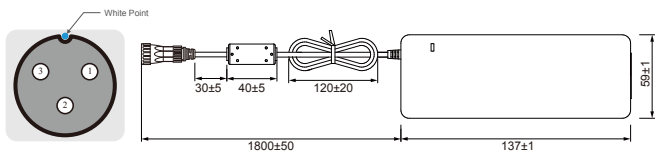


## Cable List

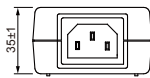
LCD	IP65 connector	PC side IO type
Power cord	3pin	Power cord
IP65 VGA	10pin	Male (D-Sub 15)

## IP65 Cable/Pin Define

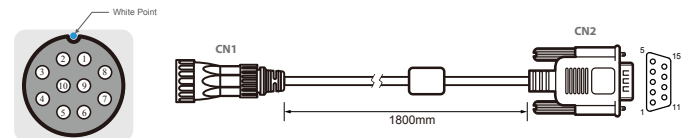
### Power Cable



Pin No.	Symbols	Color
CN1-3	GND	Black
CN1-2	shield	
CN1-1	VCC	White



### VGA Cable



CN1			
Pin No.	Symbols	Color	
1	R	Red	↔
2	R-GND	Black	↔
3	G	Green	↔
4	G-GND	Black	↔
5	B	Blue	↔
6	B-GND	Black	↔
7	SDA	Yellow	↔
8	HS	Orange	↔
9	VS	White	↔
10	SCL	Brown	↔

CN2			
Pin No.	Symbols	Color	
1	R	Red	
6	R-GND	Black	
2	G	Green	
7	G-GND	Black	
3	B	Blue	
8	B-GND	Black	
12	SDA	Yellow	
13	HS	Orange	
14	VS	White	
15	SCL	Brown	
4	HS-GDN		
5	NC		
9	NC		
10	NC		
11	VS-GDN		



## SCIGATE AUTOMATION (S) PTE LTD

No.1 Bukit Batok Street 22 #01-01 Singapore 659592

Tel: (65) 6561 0488

Fax: (65) 6562 0588

Email: sales@scigate.com.sg

Web: www.scigate.com.sg

Business Hours: Monday - Friday 8.30am - 6.15pm