

Chassis Monitor



65"(16:9)

Specifications

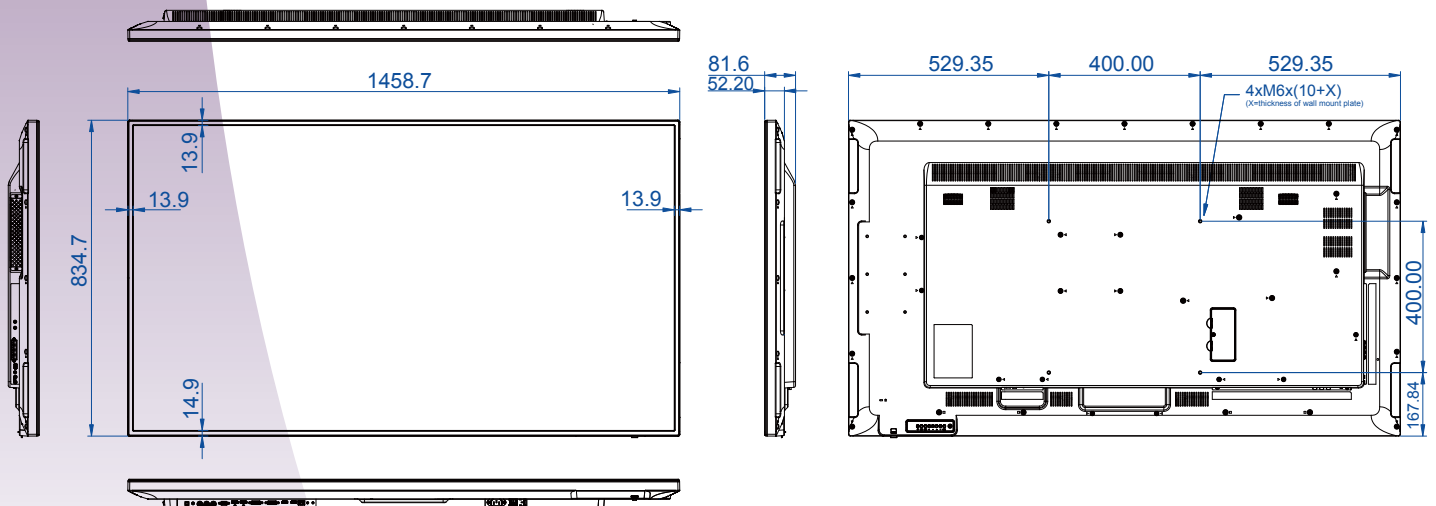
Model Name	W65L100-OML2 (Optional for OPS Module)
Viewable Size Image	64.5" (16:9)
Active Display Area(mm)	1428.48 (H) x 803.52 (V)
Pixel Pitch(mm)	0.744 (H) x 0.744 (V)
Number of Pixels	1920 x 1080
Contrast Ratio	4000:1(typ.)
Display Color	1.07B
Brightness(cd/m)	350(typ.)
Viewing Angle(CR>=10)	-89~89(H);-89~89(V)
Recommended Resolution	1920 x 1080 @ 60Hz
Input & Output Signal	VGA Input (D-Sub) 2 x HDMI Input 1 x DP Input, 1 x DP Output 1 x DVI Input, 1 x DVI Output 3 x BNC Input RS232 & RJ45 (For Remote Control)
Internal Speaker	10W + 10W
Power Source	AC100~240V, Universal, 10%
Optional Touch Screen	No
Operating Temperature	5~40degC
Operating Humidity	20~80% (without condensation)
Dimension	1458.7(W) x 834.7(H) x 81.6(D)mm
VESA compatible arm mounting interface	600mm x 400mm, M8
Certification	CE, FCC
Power Consumption	250W(typ.)

SCIENCE GATE
Your Automation Partner



SCIGATE AUTOMATION (S) PTE LTD

No.1 Bukit Batok Street 22 #01-01 Singapore 659592
 Tel: (65) 6561 0488 Fax: (65) 6562 0588
 Email: sales@scigate.com.sg Web: www.scigate.com.sg
 Business Hours: Monday - Friday 8.30am - 6.15pm



- * Please refer to next page for detail I/O introduction.
- * Note: this is a simplified drawing and some components are not marked in detail. Please contact our sales representative if you need further product information.

