

CONTROL TECHNIQUES

**SCIENCE
GATE**
Your Automation Partner



SCIGATE AUTOMATION (S) PTE LTD

No.1 Bukit Batok Street 22 #01-01 Singapore 659592

Tel: (65) 6561 0488

Fax: (65) 6562 0588

Email: sales@scigate.com.sg

Web: www.scigate.com.sg

Business Hours: Monday - Friday 8.30am - 6.15pm



REMOTE I/O

RTMoE or MODBUS TCP & EtherCAT

INDUSTRIAL AUTOMATION CONTROL

NEW

DRIVE OBSESSED

RTMOE OR MODBUS TCP & ETHERCAT

THE MOST WIDELY USED NETWORK PROTOCOL

Control Techniques has set the standards in motor control since 1973.

I/O Modules enable industrial automation control without PLC

Industrial automation control applications often use a PLC system to manage the process, using I/O to communicate with sensors attached to the machines involved.

Now, a series of I/O modules is available for Control Techniques' drives. They are designed to enable applications of moderate complexity to be managed without the need for a PLC system, but directly using the drive itself.



RTMoE or Modbus TCP Remote I/Os

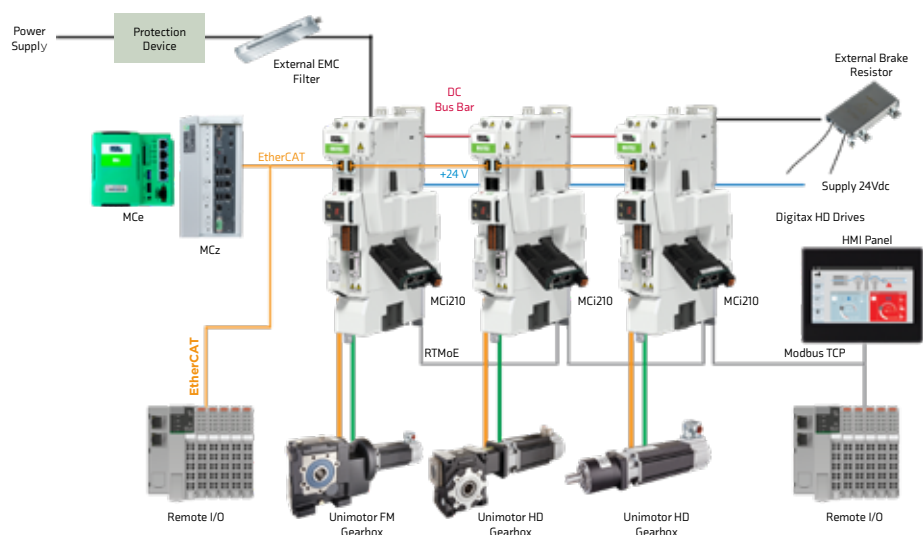
In this configuration, add-on RTMoE or Modbus TCP Remote I/O modules connect directly via the on-board Ethernet port of the M7XX series drives, or via the on-board Ethernet port of the MCI210 Machine Control option modules.

EtherCAT Remote I/Os

In this configuration, add-on EtherCAT Remote I/O modules connect via the on-board EtherCAT port of the MCE or MCz controllers, or through any EtherCAT port on any PLC or controller.

Typical Configuration

A typical scalable configuration (as shown below) would feature the EtherCAT Remote I/O module, used together with MCE or MCz controllers, and the RTMoE Remote I/O module used together with MCI2XX Machine Control option modules, Machine Control Studio software and the MCh040/MCh070 HMI Panels. All sensor inputs and outputs can be controlled, including LEDs, pushbuttons, temperature controls, machine status indicators and fluid flow sensors



Supported slices and part numbers

Network Adapter	CT Part Number
RTMoE & MODBUS TCP Network Adapter	IO210-BC
EtherCAT Network Adapter (ID Type)	IO211-BC
Digital Input	CT Part Number
DI 8 PTs, Universal (Sink or Source), 24Vdc, 10RTB	GT-1238
DI 16 PTs, Universal (Sink or Source), 24Vdc, 18RTB	GT-12DF
DI 32 PTs, Universal (Sink or Source), 24Vdc, 40PTs Connector	GT-12FA
DI 4 PTs, 120Vac, 10RTB	GT-1804
DI 4 PTs, 240Vac, 10RTB	GT-1904
Digital Output	CT Part Number
DO 8 PTs, Sink, 24Vdc/0.5A, 10RTB	GT-2318
DO 8 PTs, Source, 24Vdc/0.5A, 10RTB	GT-2328
DO 16 PTs, Sink, 24Vdc/0.3A, 18RTB	GT-225F
DO 16 PTs, Source, 24Vdc/0.3A, 18RTB	GT-226F
DO 16 PTs, Source, 24Vdc/2.0A, 18RTB (non short circuit protection)	GT-228F
DO 32 PTs, Sink, 24Vdc/0.3A, 40PTs Connector	GT-22BA
DO 32 PTs, Source, 24Vdc/0.3A, 40PTs Connector	GT-22CA
DO 8 PTs, Source, 24Vdc/2A, 10RTB	GT-2628
Relay Output 4 PTs, 24Vdc/2A, 240Vac/2A, 10RTB	GT-2744
MOS Relay, 4 PTs, 24Vdc/ac, 2A, 10RTB	GT-2764
Analogue Input	Part Number
AI, 4 CHs, 0~20, 4~20mA, 12Bits, 10RTB	GT-3114
AI, 4 CHs, 0~20, 4~20mA, 16Bits, 10RTB	GT-3154
AI, 8 CHs, 0~20, 4~20mA, 12Bits, 10RTB	GT-3118
AI, 8 CHs, 0~20, 4~20mA, 16Bits, 10RTB	GT-3158
AI, 4 CHs, 0~10, 0~5, 1~5Vdc, 12Bits, 10RTB	GT-3424
AI, 4 CHs, 0~10, 0~5, 1~5Vdc, 16Bits, 10RTB	GT-3464
AI, 8 CHs, 0~10, 0~5, 1~5Vdc, 12Bits, 10RTB	GT-3428
AI, 8 CHs, 0~10, 0~5, 1~5Vdc, 16Bits, 10RTB	GT-3468
AI, 4 CHs, RTD, 10RTB	GT-3704

AI, 4 CHs, Thermocouple, 10RTB	GT-3804
AI, 8 CHs, Thermocouple, 20PTs Connector	GT-3808
Differential type, 4 CHs, 0~20, 4~20, +/-20mA, 12Bits, 10RTB	GT-3914
Differential type, 4 CHs, 0~20, 4~20, +/-20mA, 16Bits, 10RTB	GT-3934
Differential type, 4 CHs, 0~5, 0~10, +/-5, +/-10Vdc, 12Bits, 10RTB	GT-3924
Differential type, 4 CHs, 0~5, 0~10, +/-5, +/-10Vdc, 16Bits, 10RTB	GT-3944
Analogue Output	Part Number
AO, 4 CHs, 0~20mA, 12Bits, 10RTB	GT-4114
AO, 4 CHs, 0~20mA, 16Bits, 10RTB	GT-4154
AO, 8 CHs, 0~20mA, 12Bits, 10RTB	GT-4118
AO, 8 CHs, 0~20mA, 16Bits, 10RTB	GT-4158
AO, 4 CHs, 4~20mA, 12Bits, 10RTB	GT-4214
AO, 4 CHs, 4~20mA, 16Bits, 10RTB	GT-4254
AO, 8 CHs, 4~20mA, 12Bits, 10RTB	GT-4218
AO, 8 CHs, 4~20mA, 16Bits, 10RTB	GT-4258
AO, 4 CHs, 0~10Vdc, 12Bits, 10RTB	GT-4424
AO, 4 CHs, 0~10Vdc, 16Bits, 10RTB	GT-4464
AO, 8 CHs, 0~10Vdc, 12Bits, 10RTB	GT-4428
AO, 8 CHs, 0~10Vdc, 16Bits, 10RTB	GT-4468
AO, 4 CHs, ±10Vdc, 12Bits, 10RTB	GT-4524
AO, 4 CHs, ±10Vdc, 16Bits, 10RTB	GT-4564
System Module	Part Number
Encoder, Input, 2 CHs, 5Vdc, 10RTB	GT-5102
System Module	Part Number
8 Channels, Shield Module, ID Type, 10RTB	GT-7408
8 Channels, Common Module, 0 Vdc, ID Type, 10RTB	GT-7508
1 Channel, Expansion Power, Input 24 Vdc, Output 1.0 A/5 Vdc, ID Type, 10RTB	GT-7511
8 Channels, Common Module, 24 Vdc, ID Type, 10RTB	GT-7518
8 Channels, Common, 0V dc/24 Vdc, ID Type, 10RTB	GT-7588
Field Power Distribution, 5Vdc, 24Vdc, 48Vdc, 110Vac, 220Vac, ID Type, 10RTB	GT-7641



Nidec

© 2020 Nidec Control Techniques Limited. The information contained in this brochure is for guidance only and does not form part of any contract. The accuracy cannot be guaranteed as Nidec Control Techniques Ltd have an ongoing process of development and reserve the right to change the specification of their products without notice.

Nidec Control Techniques Limited, Registered Office: The Gro, Newtown, Powys SY16 3BE. Registered in England and Wales. Company Reg. No. 01236886

Part No. 0781-0230-03 11/22