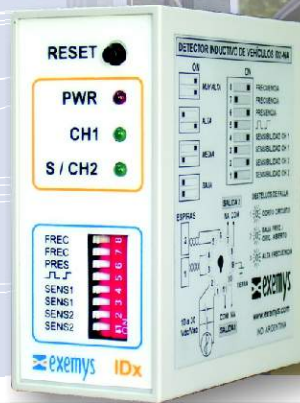


IDx

Inductive Loop detector



Detects metallic masses measuring the inductance of a loop.

The IDx detects metallic masses measuring the inductance of a loop. This loop is part of an oscillating circuit that generates a magnetic field. When a vehicle passes over the loop the oscillator's frequency changes. The IDx's microprocessor detects these changes and, depending on its configuration, generates the corresponding output.



FEATURES

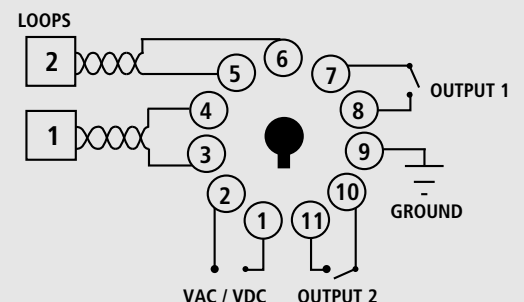
- Microcontroller.
- 1 or 2 channels.
- Switching power supply.
- 4 settable sensibility levels.
- 4 settable frequency levels.
- Optoisolated, relay, transistor or digital outputs (TTL).
- Safe output in case of failure.
- Channel multiplexing.
- Advanced failure analysis.
- Auto-tuning.
- Output while present
- Drift compensation due to environmental fluctuations



APPLICATIONS

- Toll stations
- Automatic barriers
- Intelligent traffic lights
- Traffic Access Control
- Vehicle counting
- Speed measurements
- Traffic flow's direction

CONNECTION



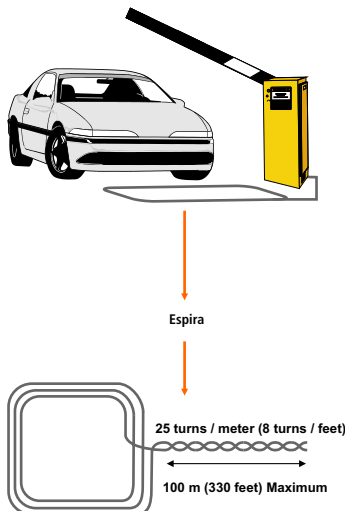
SCIGATE AUTOMATION (S) PTE LTD
 No.1 Bukit Batok Street 22 #01-01 Singapore 659592
 Tel: (65) 6561 0488 Fax: (65) 6562 0588
 Email: sales@scigate.com.sg Web: www.scigate.com.sg
 Business Hours: Monday - Friday 8.30am - 6.15pm



www.exemys.com



ESPECIFICACIONES TÉCNICAS



- **Operating current:** 100mA max.
- **Relay:** 0.5ª 120Vca, 1ª 24Vdc, 0.3ª 60Vdc.
- **Optoisolators:** Optoisolated output, 30V max, 10mA max.
- **Protection:** Varistors in power supply and relay outputs. Lightning protection and ground terminators. Loop input isolation with transformer.
- **Inductance range:** 20uHy a 2000uHy. Factor Q>5
- **Frequency range:** 25Khz a 120Khz
- **Presence time:** 1hour for L/L = 3%
- **Sensibility:** L/L = 0.02%, 0.05%, 0.1%, 0.5%
- **Mux time:** 10 mS.
- **Dimensions:** 3.08" x 3" x 1.38" (HxWxL) 78,4 x 76 x 35 mm (AxAxL)
- **Weight:** 0.264 lbs (0.120 Kg)
- **Power Supply:** 10-30 Vdc, internal switching power source.
- **Enclosure:** Polycarbonate (top) y Noril (base), UL94-V0, Grey RAL 7035.
- **Temperature:** Operating temperature: 41 to 149 °F (5 to 65 °C)
Storage temperature: -40 to 167°F (-40 to 75°C)
- **Guarantee / Support:** 1 year guarantee. Technical support included.



CÓDIGOS DE PEDIDO

PART NUMBER	OUTPUTS	CHANNELS
ID1-RL-0-NA-P	Normally Open Relay	1
ID2-RL-0-NA-P	Normally Open Relay	2
ID1-RL-0-NC-P	Normally Closed Relay	1
ID2-RL-0-NC-P	Normally Closed Relay	2
ID1-OP-0-NOFF-P	Optoisolated Normally OFF	1
ID2-OP-0-NOFF-P	Optoisolated Normally OFF	2
ID1-OP-0-NON-P	Optoisolated Normally ON	1
ID2-OP-0-NON-P	Optoisolated Normally ON	2
ID1-TR-0-NOFF-P	Transistor Normally OFF	1
ID2-TR-0-NOFF-P	Transistor Normally OFF	2
ID1-TT-0-N0-P	TTL Normally OFF	1
ID2-TT-0-N0-P	TTL Normally OFF	2