

# RS485 Serial Isolator for Field Instruments (with galvanic isolation)

MCV2-A485-CR

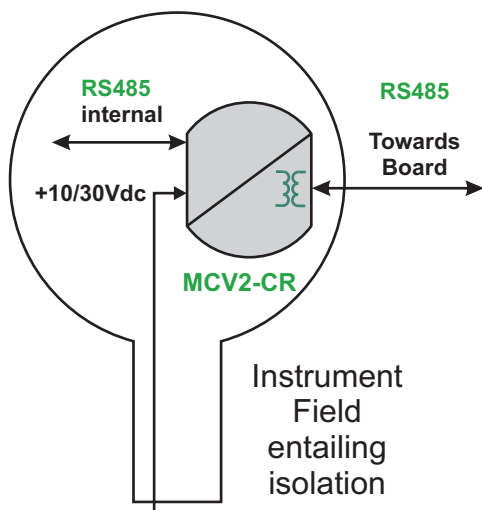


The electric and electromagnetic fields caused by storms, motors or power electronics, are very often detrimental to the instruments of the field.

The MCV2-CR module was designed to avoid interference problems, or damage, to field instruments that have an RS485 serial port.

The MCV2-A485-CR module allows to isolate a port RS485 series, for any instrument of countryside

## ★ RS485 / RS485 ISOLATOR



## ✓ APPLICATIONS

- Field transmitters
- Pressure and Temperature Sensors
- Flowmeters
- Meters

## ✓ BENEFITS

- Protects from Atmospheric Discharges
- Protects from Potential Differences
- Increases meter protection
- Increases transmission power

## ORDER CODE

- MCV2-A485-CR-IS



## SCIGATE AUTOMATION (S) PTE LTD

No.1 Bukit Batok Street 22 #01-01 Singapore 659592  
 Tel: (65) 6561 0488 Fax: (65) 6562 0588  
 Email: sales@scigate.com.sg Web: www.scigate.com.sg

Business Hours: Monday - Friday 8.30am - 6.15pm

SISTEMA DE GESTIÓN ISO 9001:2015



GESTION DE LA CALIDAD

RI-9000-6174

Acreditado por OAA

[www.exemys.com](http://www.exemys.com)