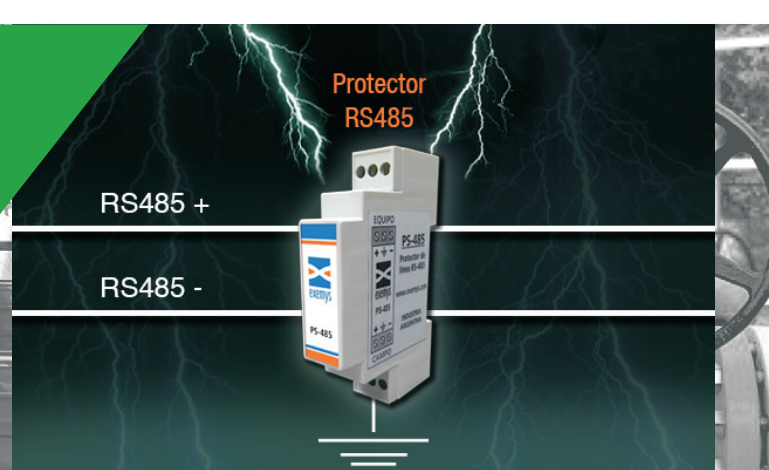


Line Protector RS-485

PS-485



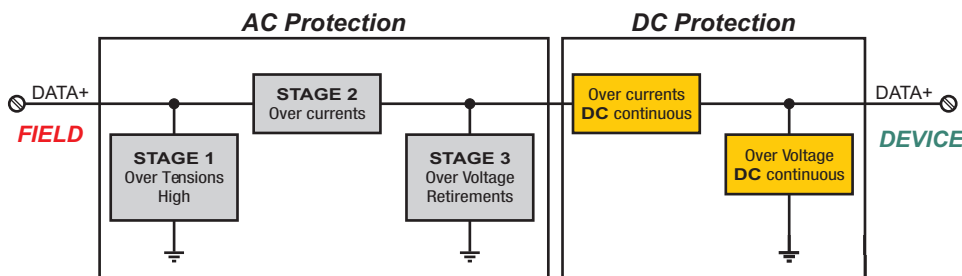
Transient peaks and overvoltages in the data lines, will be produced by the induced energy caused by the conditions or by switching heavy inductive loads.

The PS-485 module was designed to protect your electronic equipment, of these potentially destructive interferences.

★ FEATURES

- Protects from both Surges and Overcurrents
- It has a cascade protection circuit, with 3 stages
- Protects against Alternating Currents and also Continuous Alterations
- It is built with redundant, state-of-the-art components
- Automatic reset after alternating or direct current peaks

★ INTERNAL SCHEME



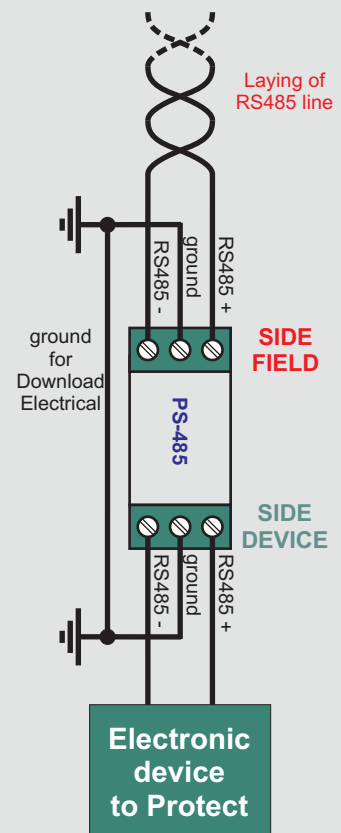
★ CHARACTERISTICS

- Protection against transient peaks: 265Vrms and 20KA-
- Protection against AC disturbances: 120 Vrms-
- Protection against DC disturbances: +- 24Vdc
- Meets minimum requirements of RS-485:
 - ESD (Electrostatic Discharges): IEC 61000-4-2 Level 4 (8KV per contact/15KV per air)
 - EFT (Fast Electrical Transients): IEC 61000-4-4 Level 3, 1KV, 20A
 - Current Surge/Lightning: IEC 61000-4-5 Level 4, 4KV, 95A



Unique with Protection by Overvoltage and Overcurrent

★ FIELD CONNECTIONING



SCIGATE AUTOMATION (S) PTE LTD
 No.1 Bukit Batok Street 22 #01-01 Singapore 659592
 Tel: (65) 6561 0488 Fax: (65) 6562 0588
 Email: sales@scigate.com.sg Web: www.scigate.com.sg
 Business Hours: Monday - Friday 8.30am - 6.15pm

ISO 9001:2015 MANAGEMENT SYSTEM



GESTION DE LA CALIDAD

RI-9000-6174

Acreditado por OAA

www.exemys.com