

DataKeep™ 300500

Explosion Proof Level Indicator



Application

The explosion proof loop powered level indicator displays engineering units connected in series with one 4-20 mA continuous level transmitter. Select this level indicator for hazardous applications with an explosion proof level sensor. The windowed field enclosure is easily wall mounted and includes two conduit connectors.



Features

- Rugged aluminum explosion proof windowed enclosure
- LCD display indicates engineering units and descriptors
- Non-volatile memory with security password protection
- SafeTouch through-glass button programming
- 32-point, square root or exponential linearization

Key Benefits

- Simple, loop powered display for use in explosion proof applications
- Add display to current loop in the classified area
- Displays in inches, feet, meters, gallons or liters of liquid in the tank
- Easy to configure and scale for your application
- Provides Hi or Lo level alarm indication

Compatible Products



XP88-89

ECHOSAFE®

Ultrasonic Level Transmitter

FM approved for hazardous environments, the explosion proof ultrasonic level transmitter provides continuous level measurement up to 32.8' (10m) with a 4-20 mA signal output, and is configured via the integral push button display module. This non-contact liquid level sensor is ideally suited for corrosive, ultrapure, sticky or dirty liquids, and is selected for bulk storage, day tank and process tank level applications located in a classified area.

DataKeep™ 300500

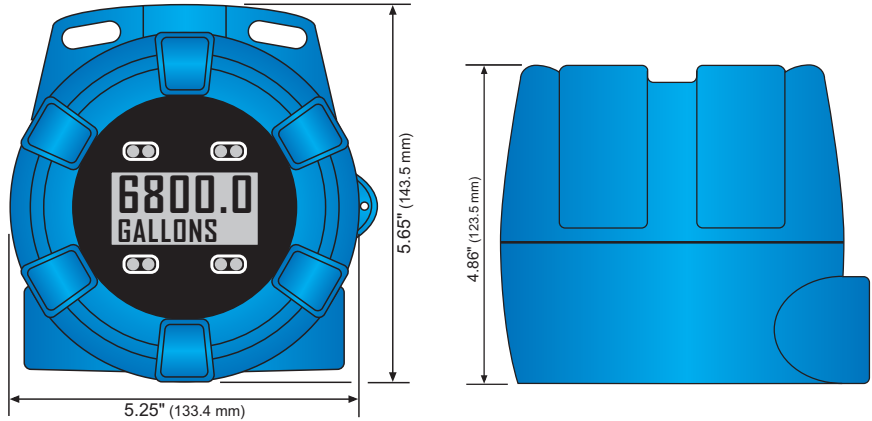
Explosion Proof Level Indicator



Specifications

Display type:	LCD Upper: 5 digits Lower: 7 characters
Display units:	Engineering
Display output:	0.001 to 99,999
Display height:	Main: 0.70" (18mm) Secondary: 0.4" (10mm)
Decimal point:	0, 1, 2 or 3
Configuration:	Push button, SafeTouch through-glass
Memory:	Non-volatile
Sensor input:	(1) 4-20 mA transmitter
Loop power:	9-30 VDC
Voltage drop:	3.0 VDC @ 20 mA w/o backlight 6.0 VDC @ 20 mA with backlight
Ambient temp.:	F: -40° to 167° C: -40° to 75°
Enclosure rating:	NEMA 4X, 7 & 9 (IP68)
Enclosure mat'l.:	Aluminum
Window mat'l.:	Glass
Conduit entrance:	Dual, 3/4" NPT
Classification:	Explosion proof
Compliance:	CE
Approvals:	FM, ATEX, IECEx, CSA

Dimensions



Accessories

For reliable power and performance, use the below recommended power supply.



P/N

LC95-2001

DESCRIPTION

100-240 VAC, 24 VDC @ 0.45A, 35mm rail



SCIGATE AUTOMATION (S) PTE LTD

No.1 Bukit Batok Street 22 #01-01 Singapore 659592

Tel: (65) 6561 0488

Fax: (65) 6562 0588

Email: sales@scigate.com.sg

Web: www.scigate.com.sg

Business Hours: Monday - Friday 8.30am - 6.15pm

Ordering

300500₍₁₎

NOTES

- 1) For explosion proof level measurement, package the indicator with the EchoSafe ultrasonic transmitter.