



SCIGATE AUTOMATION (S) PTE LTD

No.1 Bukit Batok Street 22 #01-01 Singapore 659592

Tel: (65) 6561 0488

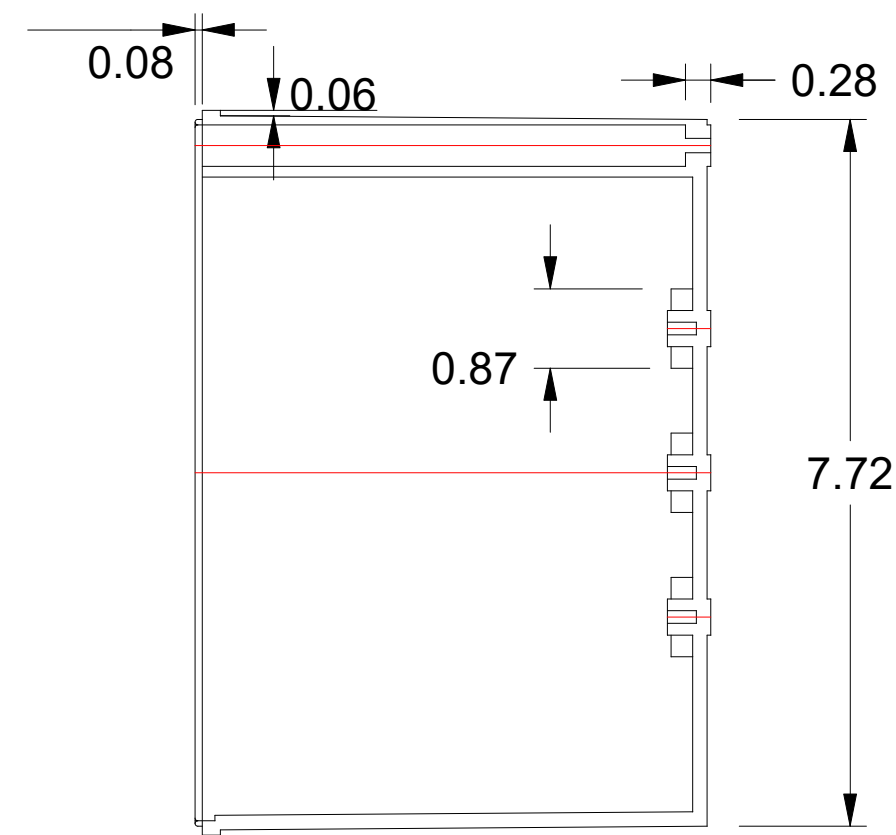
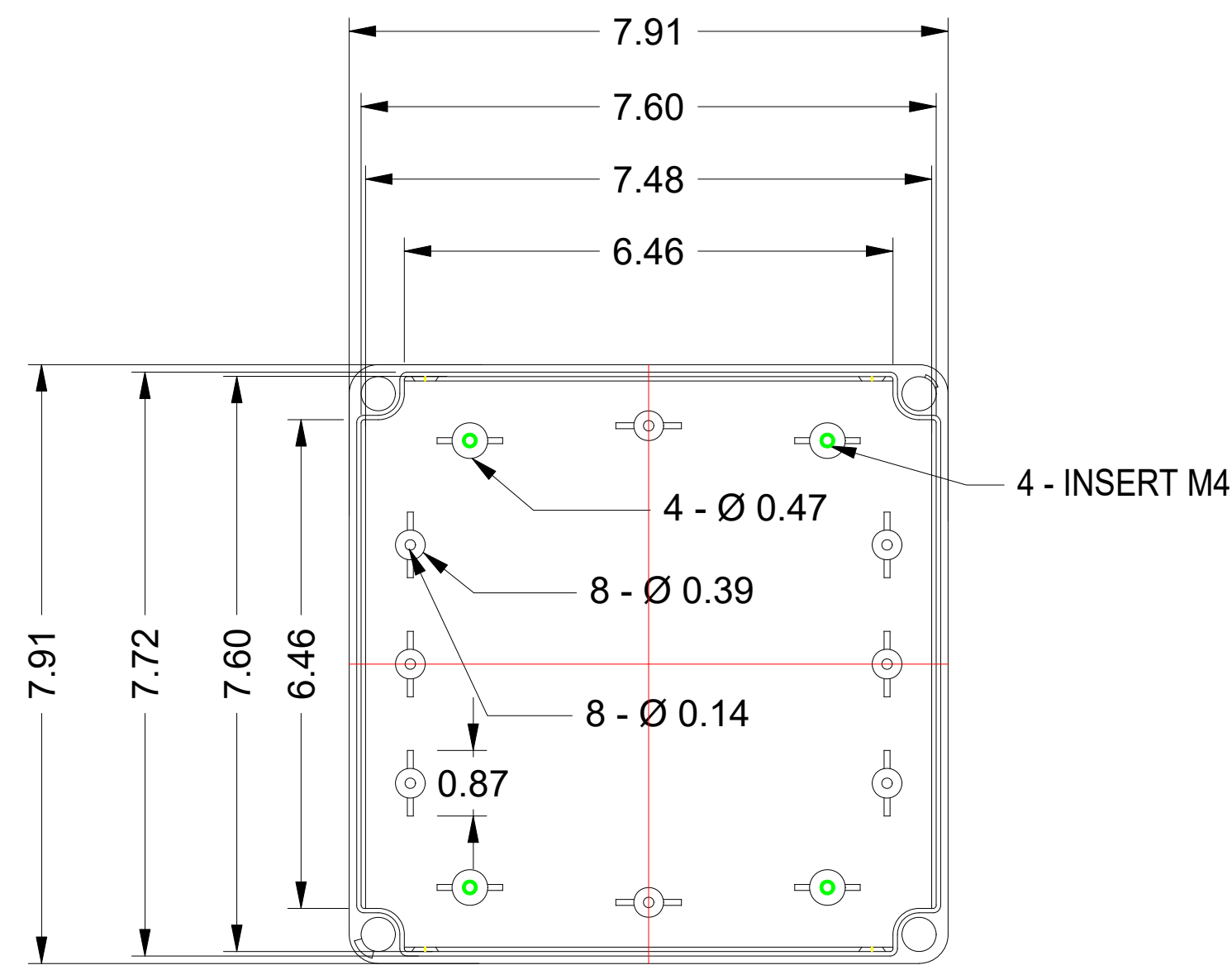
Fax: (65) 6562 0588

Email: sales@scigate.com.sg

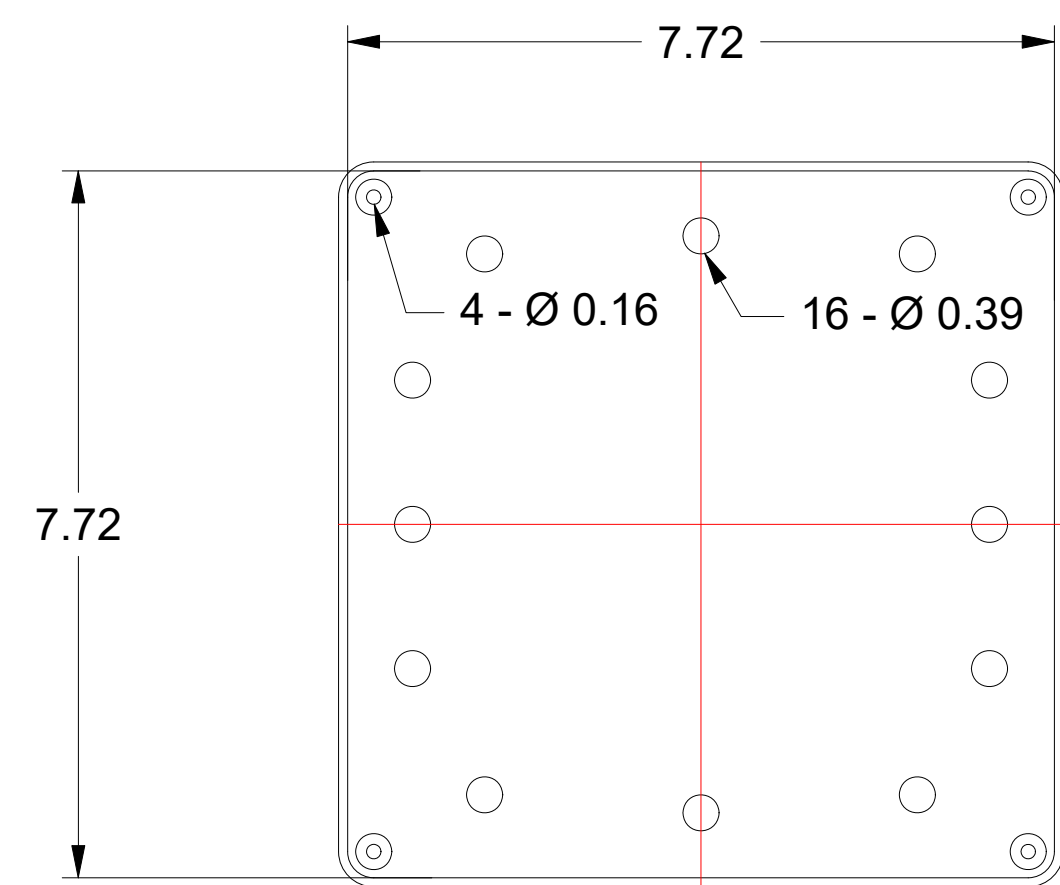
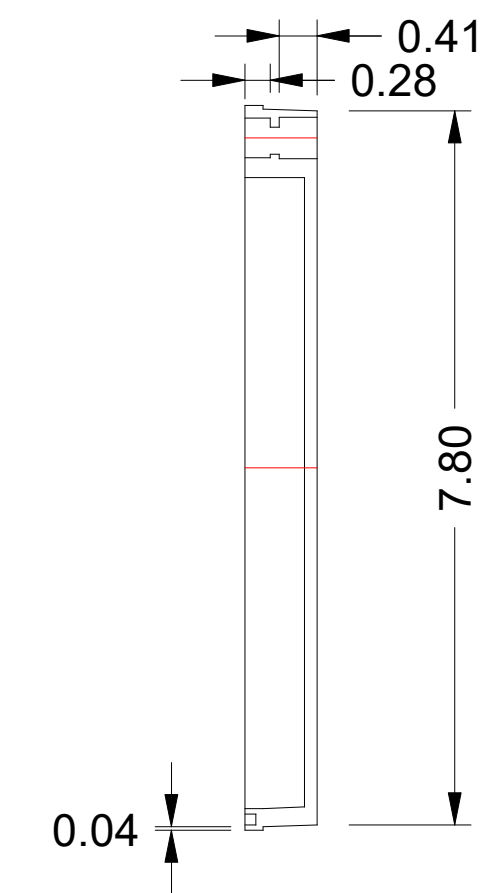
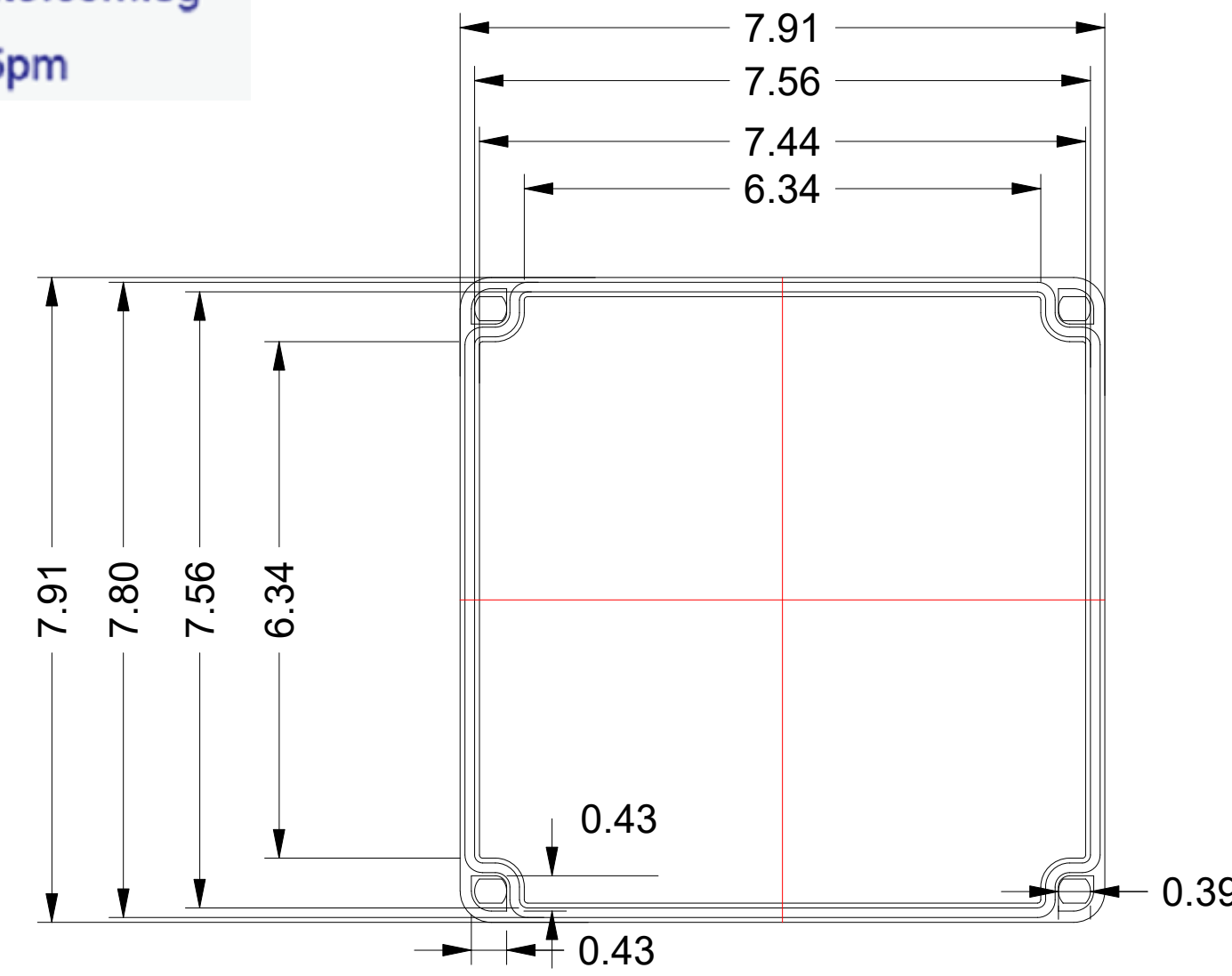
Web: www.scigate.com.sg

Business Hours: Monday - Friday 8.30am - 6.15pm

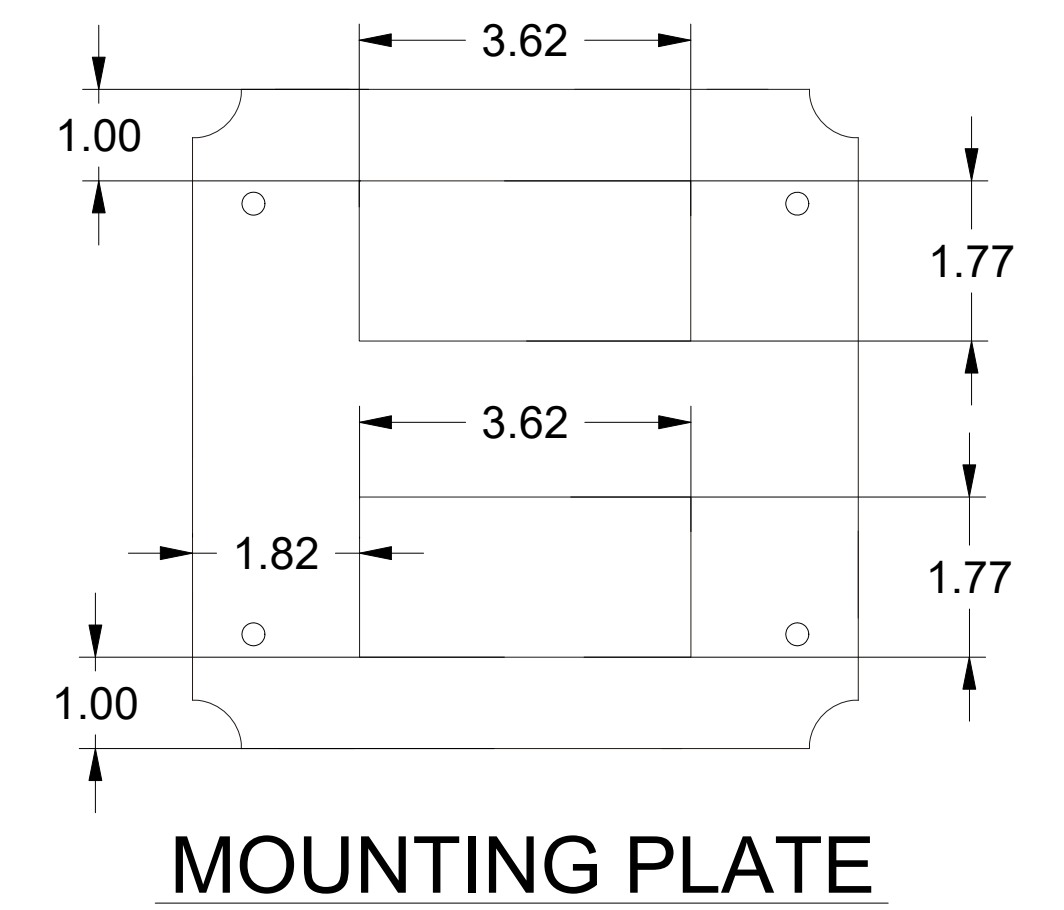
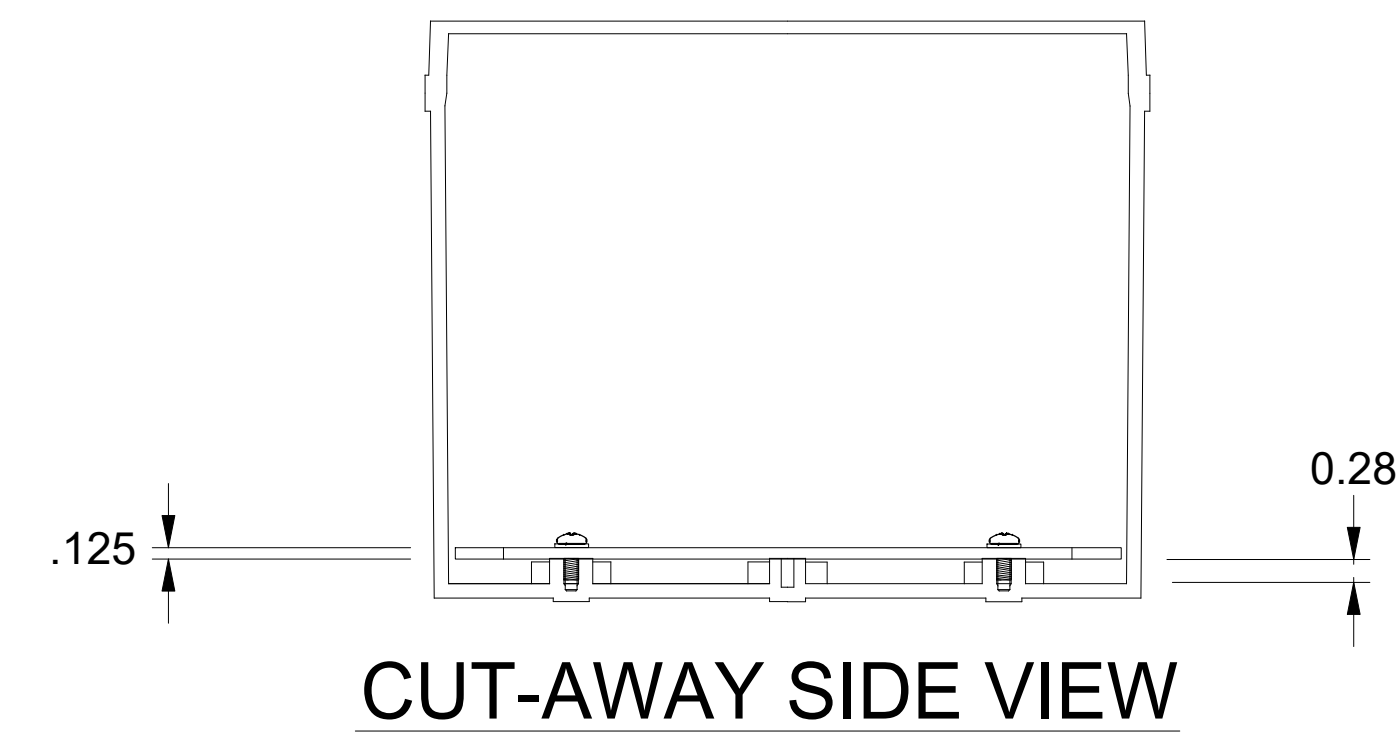
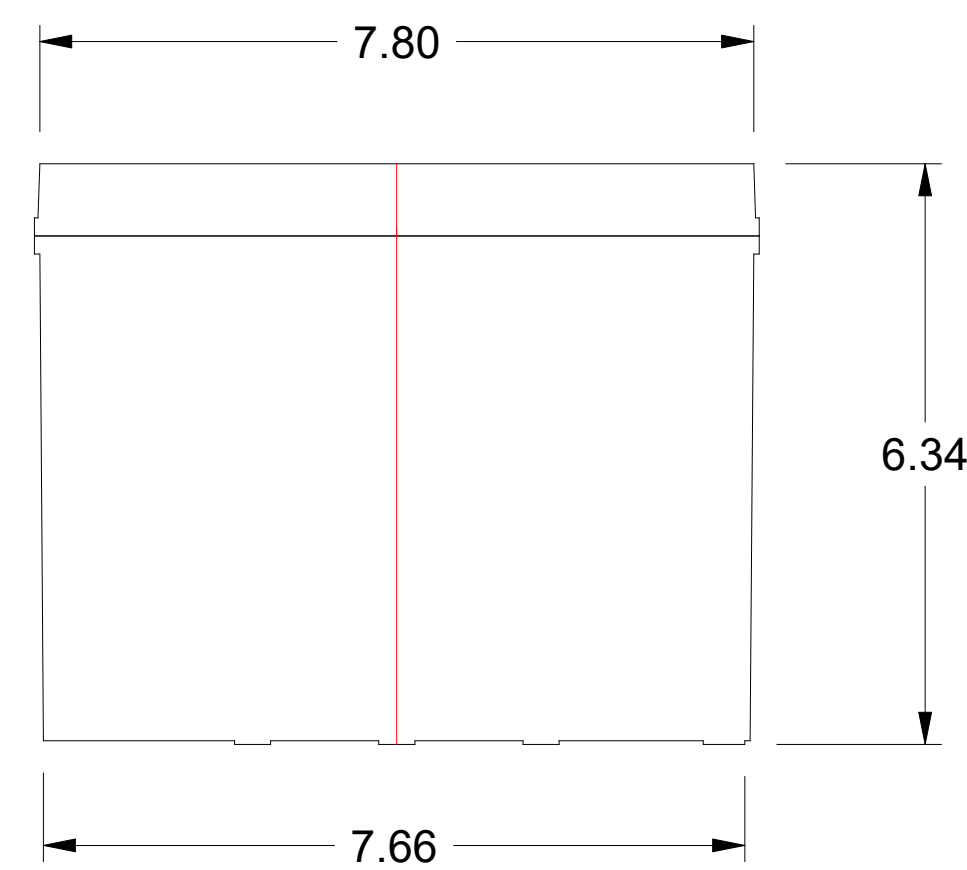
BODY



COVER



BOTTOM VIEW



#8-32 1/2" PHILLIPS #8 WASHER

HARDWARE

NOTES: ALL DIMENSIONS SHOWN ARE IN INCHES.

DRAWN
P. COLIN
02/01/2016

FLOWLINE, INC.

LOS ALAMITOS, CA 90720

**LM92-2202 ENCLOSURE
DRAWING FILE
301686 REV A**