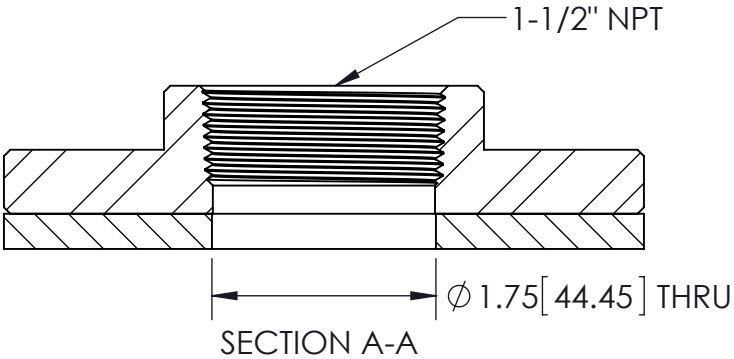
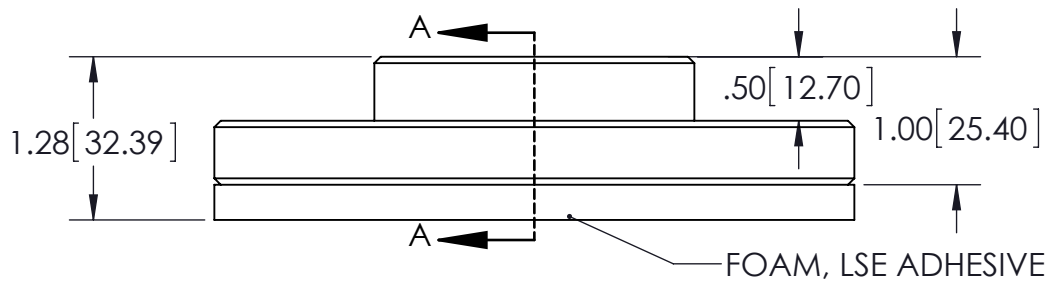
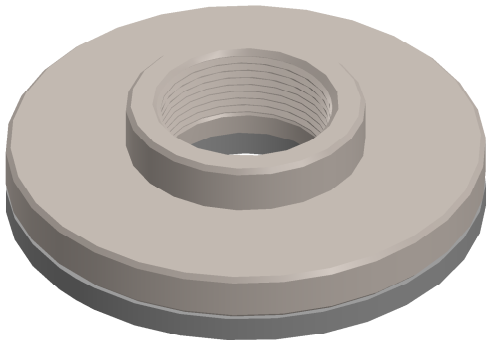


REVISIONS			
REV	ECR	DATE	APPROVED



Flowline Part Numbers
 LM53-4855 = adhesive tank top fitting, 1 1/2" NPT, PVC



SCIGATE AUTOMATION (S) PTE LTD
 No. 1 Bukit Batok Street 22 #01-01 Singapore 659592
 Tel: (65) 6561 0488 Fax: (65) 6562 0588
 Email: sales@scigate.com.sg Web: www.scigate.com.sg
 Business Hours: Monday - Friday 8.30am - 6.15pm

THE INFORMATION CONTAINED IN THIS DRAWING IS THE PROPERTY OF FLOWLINE INC.. UNLESS OTHERWISE AUTHORIZED IN WRITING BY FLOWLINE INC.. THIS DRAWING IS ALSO PROHIBITED BY UNITED STATES COPYRIGHT LAWS AND COPYING OR DUPLICATION OF THE INFORMATION ON THIS DRAWING IS NOT ALLOWED UNLESS AUTHORIZED IN WRITING BY FLOWLINE INC. © FLOWLINE INC., 2000

UNLESS OTHERWISE SPECIFIED: DIMENSIONS ARE IN INCHES[MM] TOLERANCES: FRACTIONAL ± ANGULAR: MACH ± BEND ± TWO PLACE DECIMAL ± THREE PLACE DECIMAL ±		AUTOCAD DRAWING NUMBER:		 10500 HUMBOLT LOS ALAMITOS, CALIFORNIA 90720 T(562) 598-3015 F(562) 431-8507					
INTERPRET GEOMETRIC TOLERANCING PER:	MATERIAL PVC/FOAM/LSE ADH	FINISH	DO NOT SCALE DRAWING	<table border="1"> <thead> <tr> <th>NAME</th> <th>DATE</th> </tr> </thead> <tbody> <tr> <td>MJR</td> <td>07/03/23</td> </tr> </tbody> </table>	NAME	DATE	MJR	07/03/23	TITLE: <h1>ADAPTER OUTLINE DRAWING</h1>
NAME	DATE								
MJR	07/03/23								
ENG APPR.	MFG APPR.	Q.A.	SCALE:	SIZE <h1>A</h1>	DWG. NO. <h1>O-210755</h1>				
CHECKED MFG APPR. Q.A.	WEIGHT:	SHEET 1 OF 1	REV <h1>A</h1>						