

DataLoop™ LI25-1

Level Indicator



Application

The general purpose loop powered level indicator displays engineering units connected in series with one 4-20 mA continuous level transmitter. For field mount installation, add a single or two indicator NEMA box.



Features

- Easy configuration via the push button display module
- LCD main display with secondary unit and bar graph display
- DIN enclosure with NEMA 4X faceplate and shallow case
- Linear, square root and programmable exponent functions
- Non-volatile memory with security password protection
- Windowed NEMA box accessory for field installations

Key Benefits

- Bright backlit display for easy night viewing
- Capable of displaying units in gallons, liters, inches, feet, meters or percent of liquid
- Receives power and signal via the transmitters current loop with only a 2 VDC drop

Compatible Products



LG10-

ECHOWAVE®

Guided Wave Level Transmitter



LU28

ECHOSONIC®

Ultrasonic Level Transmitter



DL14

ECHOPOD®

Ultrasonic Level Transmitter



LU83

ECHOSPAN®

Ultrasonic Level Transmitter



LR15

ECHOPULSE®

Pulse Radar Level Transmitter

SCIENCE GATE
Your Automation Partner



SCIGATE AUTOMATION (S) PTE LTD

No.1 Bukit Batok Street 22 #01-01 Singapore 659592

Tel: (65) 6561 0488

Fax: (65) 6562 0588

Email: sales@scigate.com.sg

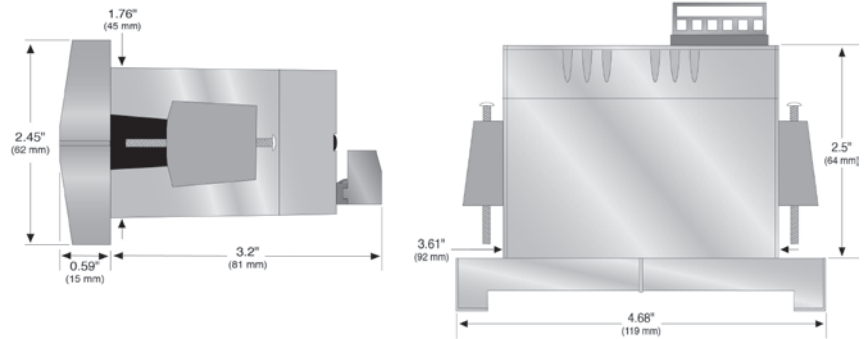
Web: www.scigate.com.sg

Business Hours: Monday - Friday 8.30am - 6.15pm

Specifications

Display type:	LCD, 5-digit
Display units:	Engineering
Display output:	-9999 to 99999
Display height:	0.6" (15mm)
Decimal point:	Floating
Backlight:	LED, orange
Configuration:	Push button
Memory:	Non-volatile
Sensor input:	(1) 4-20 mA transmitter
Loop power:	12-30 VDC
Voltage drop:	2.0 VDC w/o backlight 5.7 VDC w/ backlight
Process temp.:	F: -22° to 149° C: -30° to 65°
Ambient temp.:	F: -40° to 149° C: -40° to 65°
Enclosure type:	1/8 DIN, panel mount
Enclosure rating:	NEMA 4X (IP65) faceplate
Enclosure mat'l:	Polycarbonate
Classification:	General purpose
Compliance:	CE

Dimensions



Accessories

Protect your field mounted display from the elements with the below recommended single or two indicator box. For reliable power, add a LC95 power supply.



P/N	DESCRIPTION
LM92-1002	Single indicator windowed, 1/8 DIN, PC



LM92-2002	Two indicator windowed, 1/8 DIN, PC
------------------	-------------------------------------



LC95-2001	100-240 VAC, 24 VDC @ 0.45A, 35mm rail
------------------	--

Ordering

LI25-1001 ⁽¹⁾

NOTES

- 1) For field mount installation in a NEMA 4X, polycarbonate windowed enclosure, order the single or two indicator box.