

FUTEK MODEL LSM300 (L2330)

PARALLELOGRAM LOAD CELL W/ OVERLOAD PROTECTION (OEM TYPE)

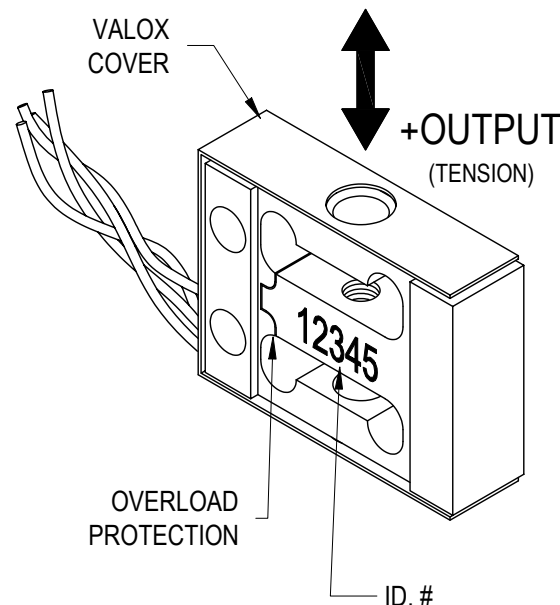
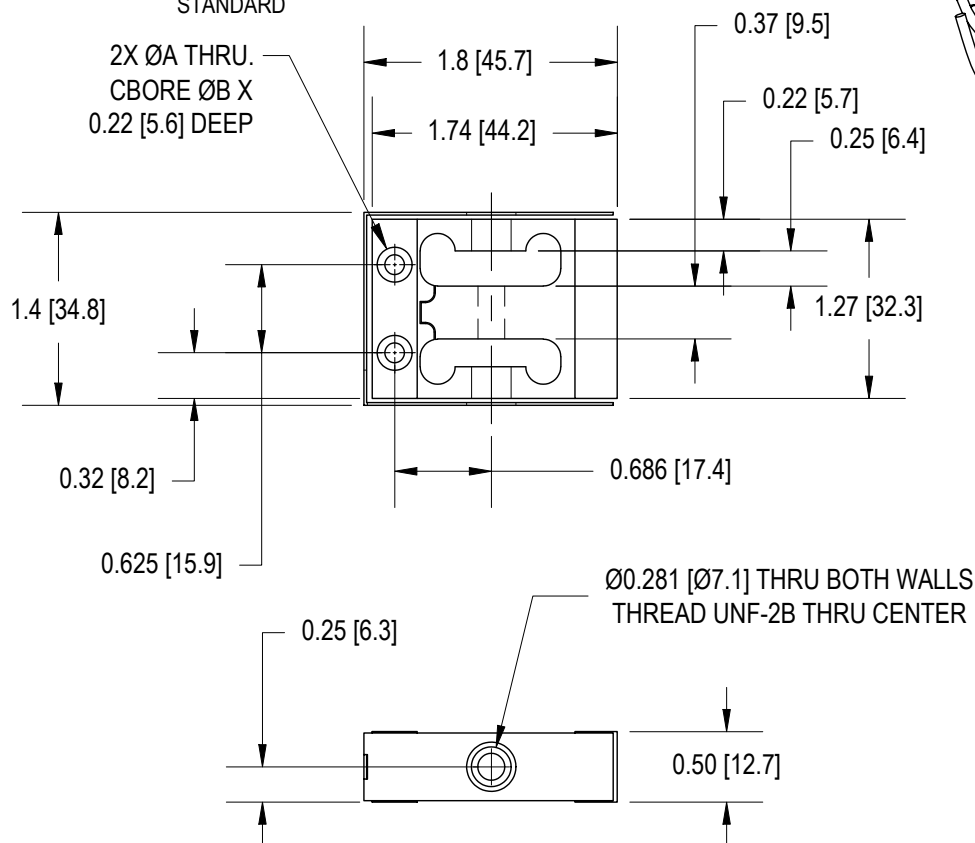
Drawing Number: F11038-B

INCH [mm] | R.O.= Rated Output

WIRING CODE (WC2)

+Excitation	-Excitation	+Signal	-Signal
GREEN	BLACK	WHITE	RED

COLOR CODE FOR THIS SENSOR IS NOT FUTEK STANDARD



SCIGATE AUTOMATION (S) PTE LTD
 No.1 Bukit Batok Street 22 #01-01 Singapore 659592
 Tel: (65) 6561 0488 Fax: (65) 6562 0588
 Email: sales@scigate.com.sg Web: www.scigate.com.sg
 Business Hours: Monday - Friday 8.30am - 6.15pm

FOR LOWER CAPACITIES REFER TO MODEL LSM250 (L2331)

SPECIFICATIONS:

- RATED OUTPUT** 2 mV/V nom.
- SAFE OVERLOAD (2.2 - 100 lb)** 250 lb
- SAFE OVERLOAD (200 - 500 lb)** 200% of R.O.
- ZERO BALANCE** ±3% of R.O.
- EXCITATION (VDC OR VAC)** 18 MAX
- BRIDGE RESISTANCE** 1000 Ω nom.
- NONLINEARITY (2.2 - 100 lb)** ±0.02% of R.O.
- HYSTERESIS (2.2 - 100 lb)** ±0.02% of R.O.
- NONLINEARITY (200 - 500 lb)** ±0.06% of R.O.
- HYSTERESIS (200 - 500 lb)** ±0.06% of R.O.
- NONREPEATABILITY** ±0.02% of R.O.
- CREEP** ±0.025% of LOAD.
- TEMP. SHIFT ZERO** ±0.005% of R.O./°F [0.01% of R.O./°C]
- TEMP. SHIFT SPAN** ±0.005% of LOAD/°F [0.01% of LOAD/°C]
- COMPENSATED TEMP.** 60 to 160°F [15 to 72°C]
- OPERATING TEMP.** -60 to 200°F [-50 to 93°C]
- WEIGHT** 1 to 3 oz [28 to 85 g]
- MATERIAL** ALUMINUM (2.2 to 100 lb) 17-4PH S.S. (200-500 lb)
- CABLE:** #29 AWG, 4 Conductor, Spiral Teflon Cable 6 in. [152.4 mm] Long
- ACCESSORIES AND RELATED INSTRUMENTS AVAILABLE**
- CALIBRATION (STD)** 2 pt. TENSION; 150KΩ SHUNT CAL. VALUE
- CALIBRATION (AVAILABLE)** 2 pt. COMPRESSION
- CALIBRATION TEST EXCITATION** 10 VDC

Stock #	CAPACITY		THREAD	A	B	NOM. DEFLECTION	SAFE OVERLOAD (lb)
	lb	N					
FSH00001	2.2	9.8				-	250
FSH00002	5	22.2				-	250
FSH00004	10	44.5				-	250
FSH00005	25	111	#10-32	0.14 [3.6]	0.25 [6.4]	-	250
FSH00006	50	222				-	250
FSH00007	100	445				-	250
FSH00008	200	890				-	400*
FSH00009	500	2224	1/4-28	0.21 [5.3]	0.34 [5.6]	-	1000*

* IF ADDITIONAL PINS ARE USED

ADDITIONAL HOLE LOCATIONS 200-500 lb ONLY

