

# FUTEK MODEL LSM300 (L2330)

# PARALLELOGRAM LOAD CELL W/ OVERLOAD PROTECTION (OEM TYPE)

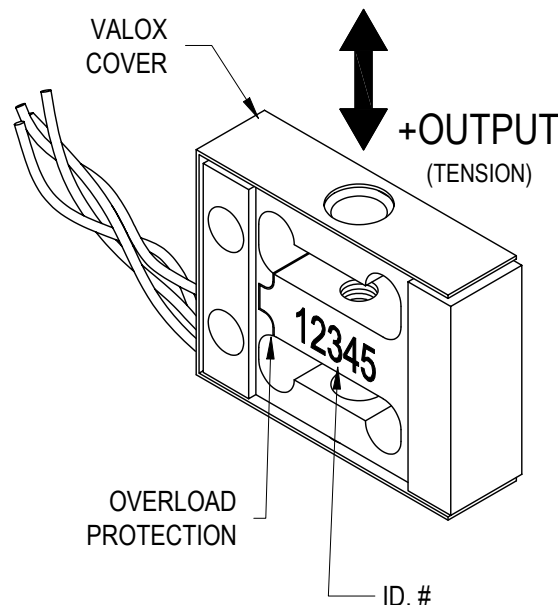
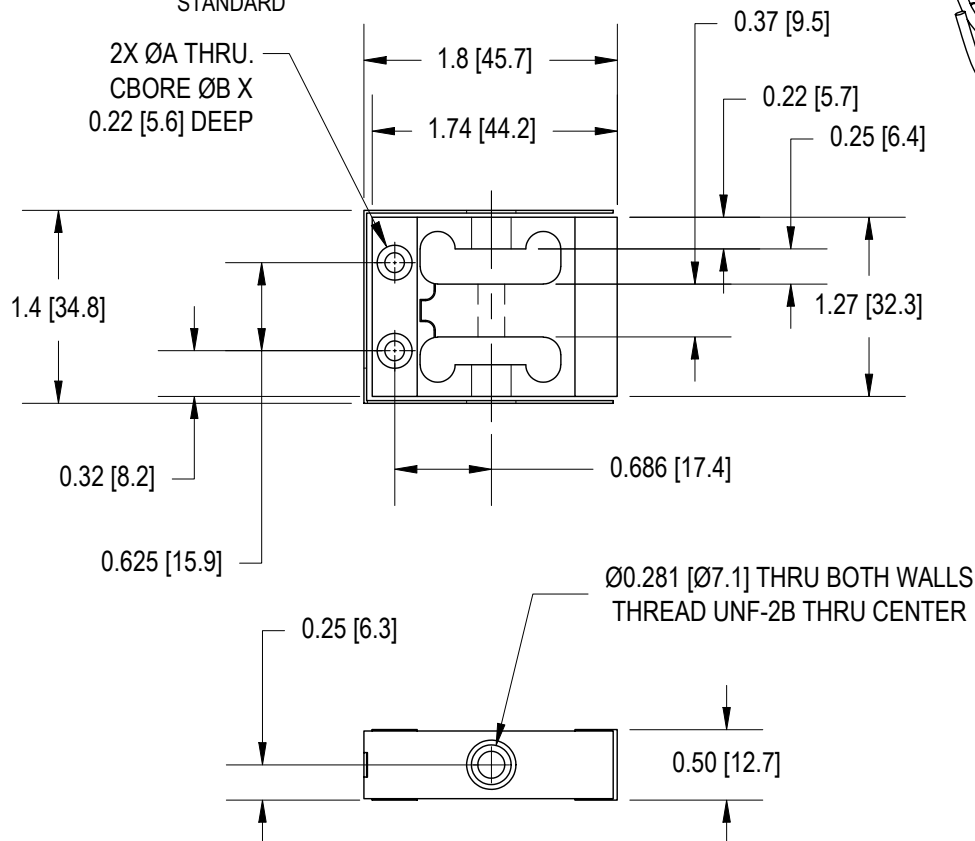
Drawing Number: F11038-B

INCH [mm] | R.O.= Rated Output

WIRING CODE (WC2)

|             |             |         |         |
|-------------|-------------|---------|---------|
| +Excitation | -Excitation | +Signal | -Signal |
| GREEN       | BLACK       | WHITE   | RED     |

COLOR CODE FOR THIS SENSOR IS NOT FUTEK STANDARD



**SCIGATE AUTOMATION (S) PTE LTD**  
 No.1 Bukit Batok Street 22 #01-01 Singapore 659592  
 Tel: (65) 6561 0488 Fax: (65) 6562 0588  
 Email: sales@scigate.com.sg Web: www.scigate.com.sg  
 Business Hours: Monday - Friday 8.30am - 6.15pm

FOR LOWER CAPACITIES REFER TO MODEL LSM250 (L2331)

**SPECIFICATIONS:**

- RATED OUTPUT** 2 mV/V nom.
- SAFE OVERLOAD (2.2 - 100 lb)** 250 lb
- SAFE OVERLOAD (200 - 500 lb)** 200% of R.O.
- ZERO BALANCE** ±3% of R.O.
- EXCITATION (VDC OR VAC)** 18 MAX
- BRIDGE RESISTANCE** 1000 Ω nom.
- NONLINEARITY (2.2 - 100 lb)** ±0.02% of R.O.
- HYSTERESIS (2.2 - 100 lb)** ±0.02% of R.O.
- NONLINEARITY (200 - 500 lb)** ±0.06% of R.O.
- HYSTERESIS (200 - 500 lb)** ±0.06% of R.O.
- NONREPEATABILITY** ±0.02% of R.O.
- CREEP** ±0.025% of LOAD.
- TEMP. SHIFT ZERO** ±0.005% of R.O./°F [0.01% of R.O./°C]
- TEMP. SHIFT SPAN** ±0.005% of LOAD/°F [0.01% of LOAD/°C]
- COMPENSATED TEMP.** 60 to 160°F [15 to 72°C]
- OPERATING TEMP.** -60 to 200°F [-50 to 93°C]
- WEIGHT** 1 to 3 oz [28 to 85 g]
- MATERIAL** ALUMINUM (2.2 to 100 lb) 17-4PH S.S. (200-500 lb)
- CABLE:** #29 AWG, 4 Conductor, Spiral Teflon Cable 6 in. [152.4 mm] Long
- ACCESSORIES AND RELATED INSTRUMENTS AVAILABLE**
- CALIBRATION (STD)** 2 pt. TENSION; 150KΩ SHUNT CAL. VALUE
- CALIBRATION (AVAILABLE)** 2 pt. COMPRESSION
- CALIBRATION TEST EXCITATION** 10 VDC

| Stock #  | CAPACITY |      | THREAD | A          | B          | NOM. DEFLECTION | SAFE OVERLOAD (lb) |
|----------|----------|------|--------|------------|------------|-----------------|--------------------|
|          | lb       | N    |        |            |            |                 |                    |
| FSH00001 | 2.2      | 9.8  | #10-32 | 0.14 [3.6] | 0.25 [6.4] | -               | 250                |
| FSH00002 | 5        | 22.2 |        |            |            |                 | 250                |
| FSH00004 | 10       | 44.5 |        |            |            |                 | 250                |
| FSH00005 | 25       | 111  |        |            |            |                 | 250                |
| FSH00006 | 50       | 222  |        |            |            |                 | 250                |
| FSH00007 | 100      | 445  |        |            |            |                 | 250                |
| FSH00008 | 200      | 890  |        |            |            |                 | 400*               |
| FSH00009 | 500      | 2224 |        |            |            |                 | 1/4-28             |

\* IF ADDITIONAL PINS ARE USED

**ADDITIONAL HOLE LOCATIONS 200-500 lb ONLY**

