

FUTEK MODEL LSM200
ITEM# FSH00064

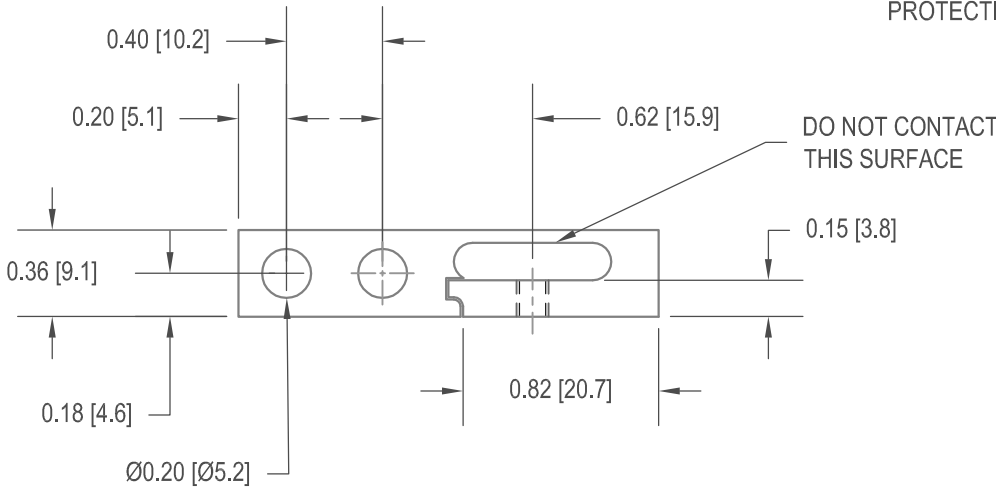
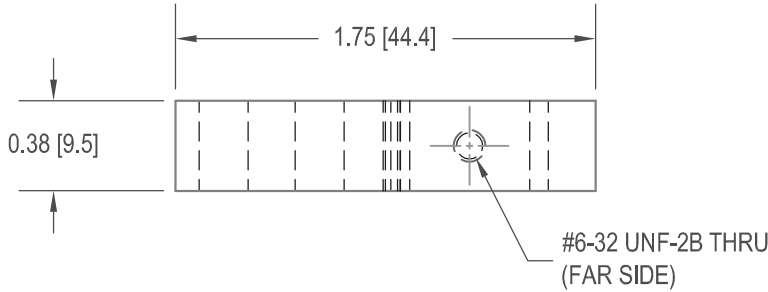
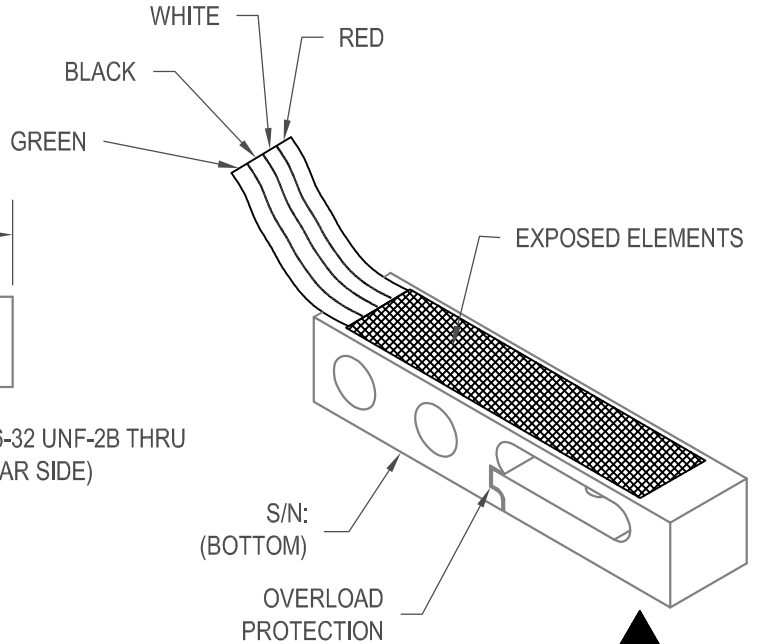
FOLD BACK BENDING BEAM W/ OVERLOAD PROTECTION IN BOTH DIRECTIONS
(OEM TYPE)

Drawing Number: FI1071-A

INCH [mm] | R.O.= Rated Output

WIRING CODE (WC1)

+Excitation	-Excitation	+Signal	-Signal
RED	BLACK	GREEN	WHITE



SPECIFICATIONS:

RATED OUTPUT	2.3 mV/V nom.
CAPACITY $\frac{\text{lb}}{\text{N}}$	$\frac{10}{44.5}$
SAFE OVERLOAD	1000% of R.O.
ZERO BALANCE	±5% of R.O.
EXCITATION (VDC OR VAC)	18 MAX
BRIDGE RESISTANCE	1000 Ω nom.
NONLINEARITY	±0.2% of R.O.
HYSTERESIS	±0.2% of R.O.
NONREPEATABILITY	±0.1% of R.O.
TEMP. SHIFT ZERO	±0.03% of R.O./°F [0.05% of R.O./°C]
TEMP. SHIFT SPAN	±0.03% of LOAD/°F [0.05% of LOAD/°C]
COMPENSATED TEMP.	60 to 160°F [15 to 72°C]
OPERATING TEMP.	-60 to 200 °F [-50 to 93 °C]
WEIGHT	3 oz [85 g]
MATERIAL	ALUMINUM
DEFLECTION	0.01 [0.25] nom.
CABLE:	Molex Flex Cable Type A, 1 mm Pitch, 4 Conductor, 2 [50.8] Long
ACCESSORIES AND RELATED INSTRUMENTS AVAILABLE	
CALIBRATION (AVAILABLE)	5 pt TENSION; 150K Ω SHUNT CAL. VALUE
CALIBRATION TEST EXCITATION	10 VDC



SCIGATE AUTOMATION (S) PTE LTD

No.1 Bukit Batok Street 22 #01-01 Singapore 659592
 Tel: (65) 6561 0488 Fax: (65) 6562 0588
 Email: sales@scigate.com.sg Web: www.scigate.com.sg
 Business Hours: Monday - Friday 8.30am - 6.15pm

FUTEK
 ADVANCED SENSOR TECHNOLOGY, INC.

This drawing is submitted solely for the information and exclusive use of the original addressee. It is not to be divulged in whole or in part, by any firm or individual without written permission from FUTEK

10 THOMAS
 IRVINE, CA 92618 USA
 FUTEK@FUTEK.COM

INTERNET:
<http://www.futek.com>