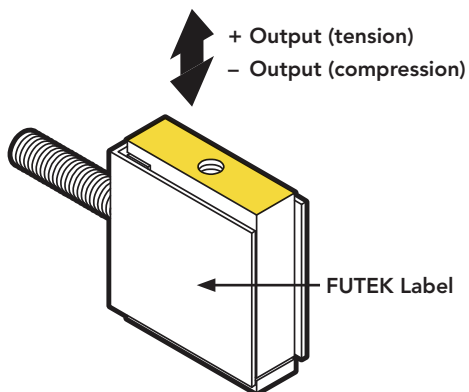




## FEATURES

- Up to 10 times the overload protection
- Overload is available in Tension and Compression
- Light weight
- Notable nonlinearity
- Loads up to 100 lb (445 N)
- Miniature size

Active end



## SPECIFICATIONS

### PERFORMANCE

Nonlinearity	±0.1% of RO
Hysteresis	±0.1% of RO
Nonrepeatability	±0.05% of RO

### ELECTRICAL

Rated Output (RO)	See chart on third page
Excitation (VDC or VAC)	10 max
Bridge Resistance	See chart on third page
Insulation Resistance	≥500 MOhm @ 50 VDC
Connection	#29 AWG, 4 conductor, spiral shielded silicone cable, 5 ft [1.5 m] long

Wiring/Connector Code WC1

### MECHANICAL

Weight (approximate)	0.3 oz [9 g]
Safe Overload	1000% of RO 200% tension only (50–100 lb)
Material	Aluminum (10 g–10 lb), stainless-steel (25–100 lb)
IP Rating	IP40

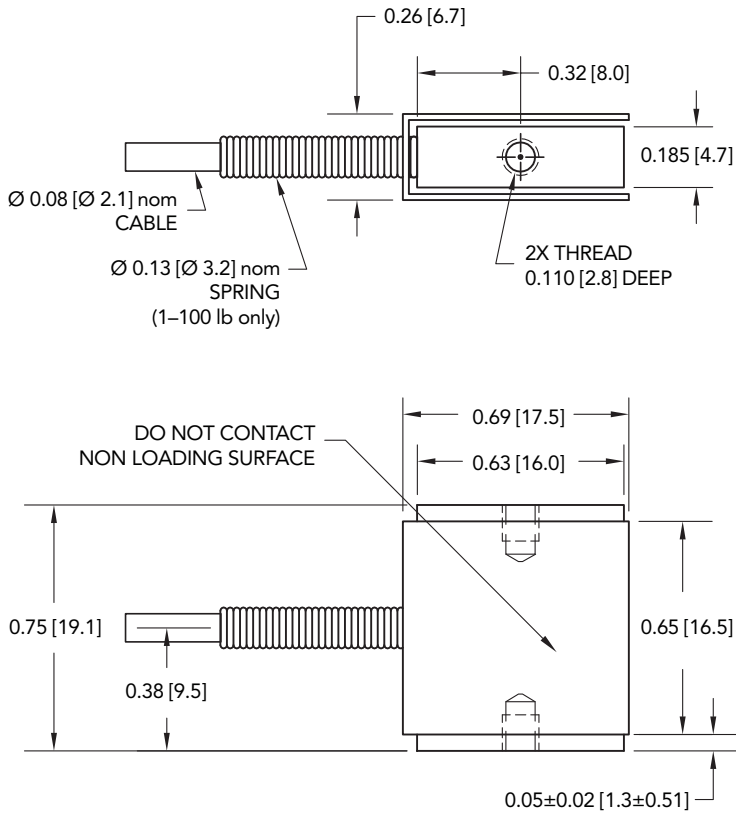
### TEMPERATURE

Operating Temperature	-60 to 200°F [-50 to 93°C]
Compensated Temperature	60 to 160°F [15 to 72°C]
Temperature Shift Zero	±0.01% of RO/°F [0.018% of RO/°C]
Temperature Shift Span	±0.02% of Load/°F [0.036% of Load/°C]

### CALIBRATION

Calibration Test Excitation	5 VDC
Calibration (standard)	5-pt Tension
Calibration (available)	Compression

**DIMENSIONS** inches [mm]



**WIRING CODE (WC1)**

RED	+ EXCITATION
BLACK	- EXCITATION
GREEN	+ SIGNAL
WHITE	- SIGNAL
SHIELD	FLOATING

CAPACITIES									
ITEM #	lb	N	Thread	RO (nom)	Bridge Resistance	Shunt Calibration Value	Deflection (in.)	Natural Frequency (Hz)	
FSH02534	10g	0.1	#4-40	0.5 mV/V	1000 Ohm nom	301 kOhm	0.004	140	
FSH02666	20g	0.2	#4-40	1 mV/V			0.008	140	
FSH02535	50g	0.5	#4-40	2 mV/V		150 kOhm	0.010	200	
FSH02536	100g	1.0	#4-40				0.008	300	
FSH02602	250g	2.5	#4-40				0.007	530	
FSH00091	1	4.5	#4-40	350 Ohm nom	60.4 kOhm	0.004	930		
FSH01559		8.9	#4-40			0.004	1340		
FSH00092	2	22.2	#4-40			0.005	1900		
FSH00093	5	44.5	#4-40			0.004	3000		
FSH00095	10	111	#4-40			0.004	2770		
FSH01888	25	222	#4-40			0.004	3600		
FSH00096	50	445	#4-40			0.005	4600		
FSH02424	100								




**SCIGATE AUTOMATION (S) PTE LTD**  
 No.1 Bukit Batok Street 22 #01-01 Singapore 659592  
 Tel: (65) 6561 0488 Fax: (65) 6562 0588  
 Email: sales@scigate.com.sg Web: www.scigate.com.sg  
 Business Hours: Monday - Friday 8.30am - 6.15pm

Drawing Number: FI1395-A

FUTEK reserves the right to modify its design and specifications without notice.  
 Please visit [www.futek.com/salesterms](http://www.futek.com/salesterms) for complete terms and conditions.

10 Thomas, Irvine, CA 92618 USA

Tel: (949) 465-0900  
 Fax: (949) 465-0905

[www.futek.com](http://www.futek.com)



U.S. Manufacturer