

FUTEK MODEL LLB300

SUBMINIATURE LOAD BUTTON LOAD CELL

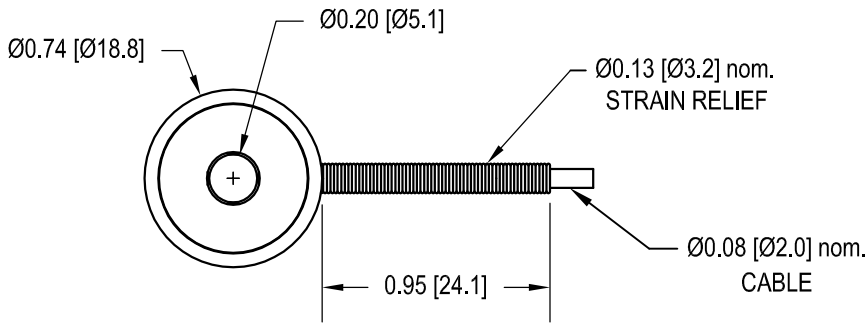
(Previously L1630-Q10291)

Drawing Number: FI1119-B

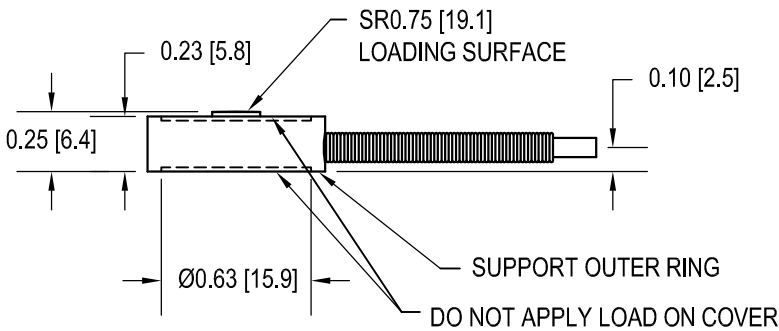
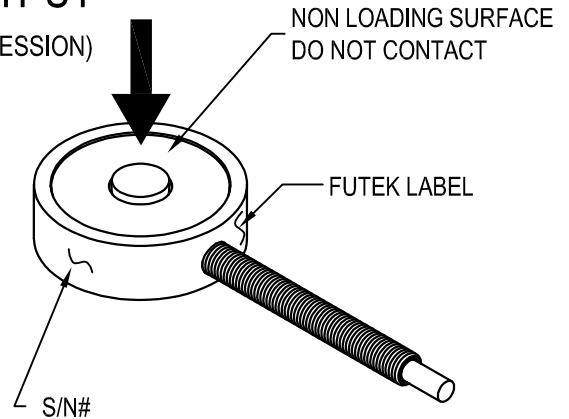
INCH [mm] | R.O.= Rated Output

WIRING CODE (WC1)

+Excitation	-Excitation	+Signal	-Signal
RED	BLACK	GREEN	WHITE
SHIELD			
FLOATING			



+ OUTPUT
(COMPRESSION)



ITEM #	CAPACITY	
	lb	N
FSH01046	25	111
FSH01047	50	222
FSH01048	100	445
FSH01050	250	1112
FSH01052	500	2224
FSH01053	1000	4448

SPECIFICATIONS:

RATED OUTPUT	2 mV/V nom.
SAFE OVERLOAD	150% of R.O.
ZERO BALANCE	±3% R.O.
EXCITATION (VDC OR VAC)	18 MAX
BRIDGE RESISTANCE	700 Ω nom.
NONLINEARITY	±0.5% of R.O.
HYSTERESIS	±0.5% of R.O.
NONREPEATABILITY	±0.1% of R.O.
TEMP. SHIFT ZERO	±0.01% of R.O./°F [0.018% of R.O./°C]
TEMP. SHIFT SPAN	±0.02% of LOAD/°F [0.036% of LOAD/°C]
COMPENSATED TEMP.	60 to 250°F [15 to 121°C]
OPERATING TEMP.	-60 to 250°F [-50 to 121°C]
WEIGHT	1.5 oz [43 g]
MATERIAL	17-4PH S.S.
DEFLECTION	0.002 [0.05] nom.
CABLE: #29 AWG, 4 Conductor, Spiral Shielded Teflon Cable 10 ft [3m] Long	
ACCESSORIES AND RELATED INSTRUMENTS AVAILABLE	
CALIBRATION (STD)	5 pt. COMPRESSION; 100K Ω SHUNT CAL. VALUE
CALIBRATION TEST EXCITATION	10 VDC

IMPROVED ACCURACY
AVAILABLE CONTACT
FACTORY



SCIGATE AUTOMATION (S) PTE LTD

No.1 Bukit Batok Street 22 #01-01 Singapore 659592
 Tel: (65) 6561 0488 Fax: (65) 6562 0588
 Email: sales@scigate.com.sg Web: www.scigate.com.sg
 Business Hours: Monday - Friday 8.30am - 6.15pm



This drawing is submitted solely for the information and exclusive use of the original addressee. It is not to be divulged in whole or in part, by any firm or individual without written permission from FUTEK

10 THOMAS
 IRVINE, CA 92618 USA
 1-800-23-FUTEK (38835)

INTERNET:
<http://www.futek.com>