

FUTEK MODEL IBT500
STOCK NUMBER: FSH01442

BENCH TOP DIGITAL DISPLAY

W/ RS232, ANALOG OUTPUT, and ALARMS / RELAYS

Drawing Number: FI1034

INCH [mm] | R.O.= Rated Output

FEATURES:

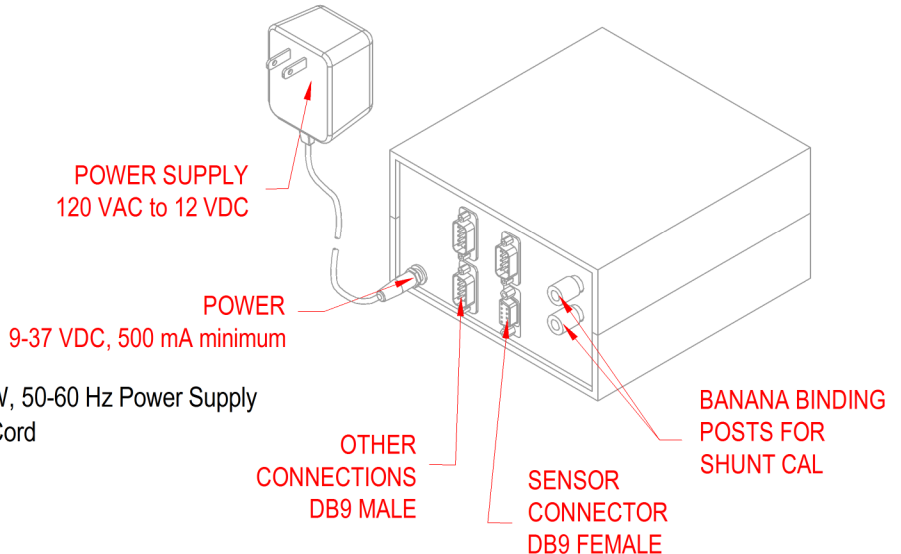
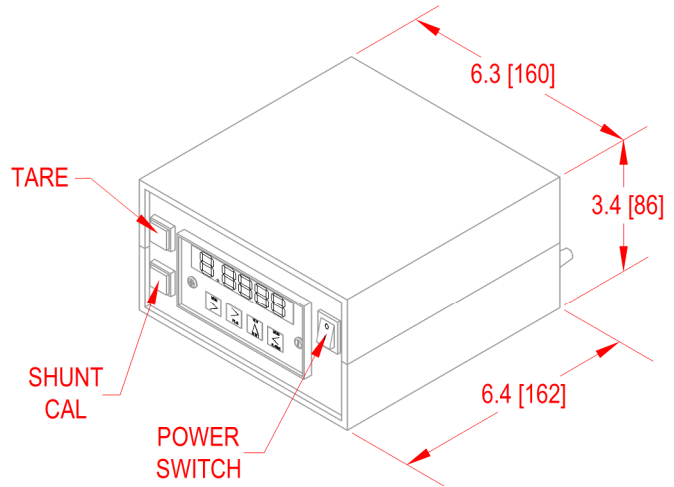
- 60 Conversions per second
- Scalable to 5 digits. $\pm 99,999$
- 120 VAC Wall Socket Power Supply
- Converter to 12 VDC Included
- 10 VDC @ 120 mA Excitation to power sensors
- Optional (5 VDC @ 50 mA)
- Front Push Button Tare and Shunt Cal
- Shunt Cal Resistor for Calibration
- DB9 Female Connector for Sensor
- DB9 Male Connector for Analog Output
- 0 to 10 Vdc or 0 to 20 mA
- DB9 Male Connector for Dual setpoint controller (Alarm)
w/2 Form C contact relays: 5 Amp Max
- DB9 Male Connector for RS232
- RS232 Baud rates from 300 to 19,200
- Includes 3 DB9 Female & 1 DB9 Male Connectors w/ Enclosures
- Weight: 1.75 lb [0.8 Kg]

ENVIRONMENT:

- Operating Temperature: 32 °F to 130 °F [0 °C to 55 °C]
- Storage Temperature: -40 °F to 150 °F [-40 °C to 65 °C]
- Relative Humidity: 90% at 100 °F [38 °C]

ACCESORIES

- GOD00681 (RP13431)- 110 -220 VAC, 30W, 50-60 Hz Power Supply
- GOD00682 (RP13432)- Power Supply AC Cord



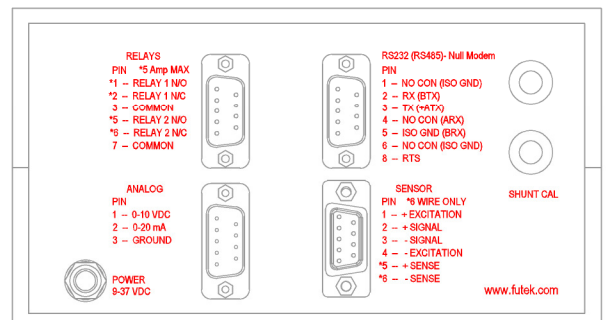
SCIGATE AUTOMATION (S) PTE LTD
 No.1 Bukit Batok Street 22 #01-01 Singapore 659592
 Tel: (65) 6561 0488 Fax: (65) 6562 0588
 Email: sales@scigate.com.sg Web: www.scigate.com.sg
 Business Hours: Monday - Friday 8.30am - 6.15pm



PLASTIC FEET



BAIL LIFT STAND



NOTE: IF SENSOR HAS 4 WIRES YOU MUST JUMP PIN 5 TO PIN 1 AND PIN 6 TO PIN 4 ON MATING DB9 MALE CONNECTOR