

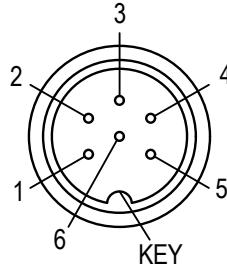
FUTEK MODEL ZCC910

Drawing Number: FI1102-A

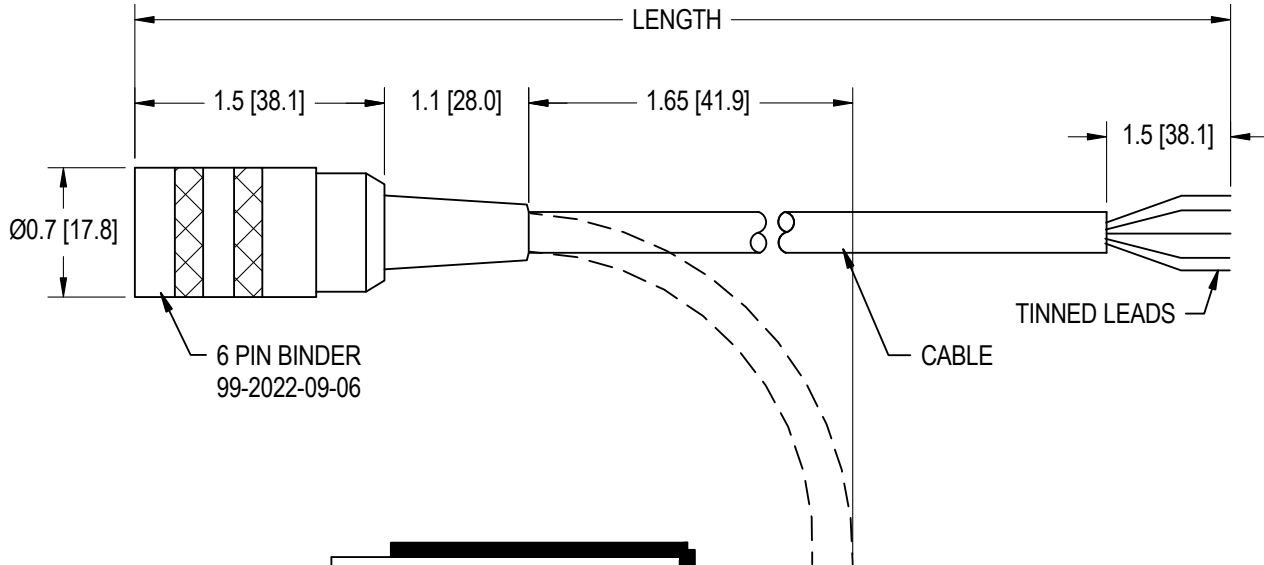
INCH [mm]

6 Pin Binder To Cable Assembly

MATES WITH FUTEK MODEL TRD300, TRS300, TRH300



FRONT VIEW



PIN	WIRING CODE
1	BLACK (-EXCITATION)
2	RED (+EXCITATION)
3	NO CONNECTION
4	GREEN (+SIGNAL)
5	WHITE (-SIGNAL)
6	ORANGE (SHUNT CAL)
	SHIELD (FLOATING)



SCIGATE AUTOMATION (S) PTE LTD

No.1 Bukit Batok Street 22 #01-01 Singapore 659592
 Tel: (65) 6561 0488 Fax: (65) 6562 0588
 Email: sales@scigate.com.sg Web: www.scigate.com.sg
 Business Hours: Monday - Friday 8.30am - 6.15pm

ITEM #	LENGTH	CABLE	SPECIFICATIONS
FSH02120	5 ft	28 AWG, 6 CONDUCTOR BRAIDED SHIELDED POLYURETHANE DIAMETER: 0.165 [4.2] CABLE MINIMUM BEND RADIUS: 1.65 [41.9]	TEMP: -40° to 176°F -40° to 80°C IP RATING IP50
FSH02023	10 ft		
FSH02122	20 ft		
FSH02123	30 ft		
FSH02124	50 ft		
FSH02125	100 ft		