

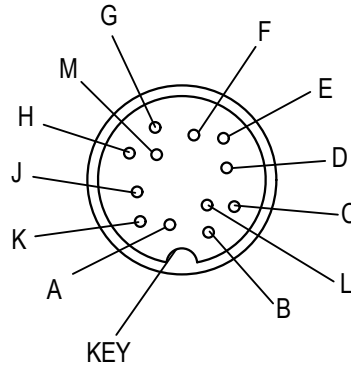
FUTEK MODEL ZCC911

Drawing Number: FI1105-A

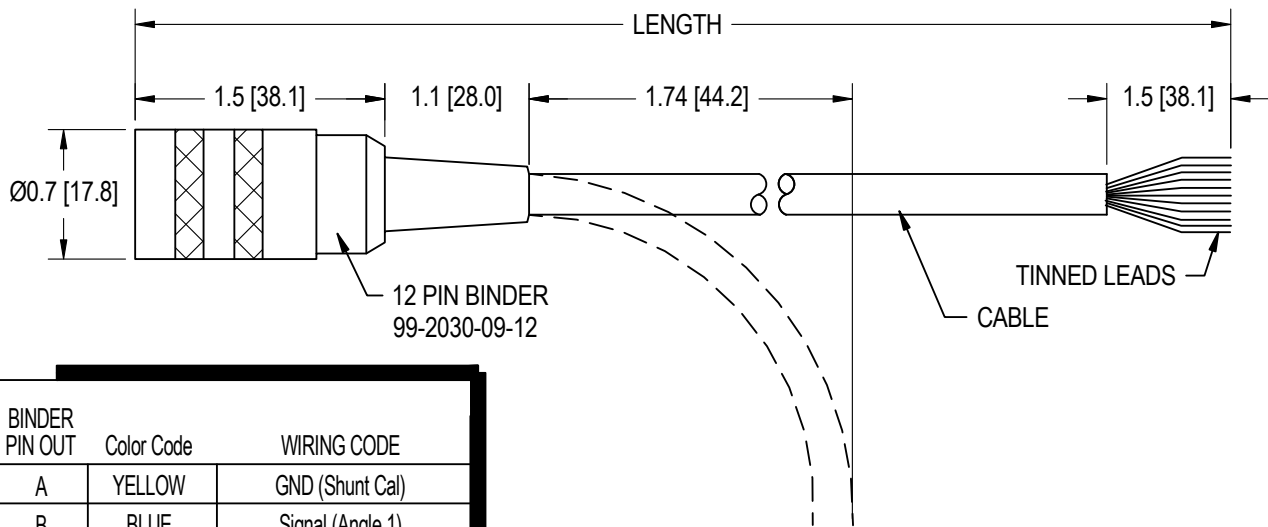
# 12 Pin Binder To Cable Assembly

MATES WITH FUTEK MODEL TRD, TRS, TRH600/605 Series

INCH [mm]



FRONT VIEW



BINDER PIN OUT	Color Code	WIRING CODE
A	YELLOW	GND (Shunt Cal)
B	BLUE	Signal (Angle 1)
C	GREEN	Signal (Torque)
D	WHITE	GND (Torque)
E	BLACK	RETURN (Sensor, Angle)
F	RED	Power (Sensor)
G	BROWN	Signal (Angle 2)
H	ORANGE	Power (Angle)
J	-	No Connection
K	PURPLE	Power (Shunt Cal)
L	-	No Connection
M	-	Shield

**SCIGATE**  
Your Automation Partner

**SCIGATE AUTOMATION (S) PTE LTD**  
No. 1 Bukit Batok Street 22 #01-01 Singapore 659592  
Tel: (65) 6561 0488 Fax: (65) 6562 0588  
Email: sales@scigate.com.sg Web: www.scigate.com.sg  
Business Hours: Monday - Friday 8.30am - 6.15pm

ITEM #	LENGTH	CABLE	SPECIFICATIONS
FSH02140	5 ft	30 AWG, 10 Conductor Braided Shielded Polyurethane  DIAMETER: 0.174 [4.4]  CABLE MINIMUM BEND RADIUS: 1.74 [44.2]	TEMP: -40° to 176°F -40° to 80°C  IP RATING IP50
FSH02043	10 ft		
FSH02141	20 ft		
FSH02142	30 ft		
FSH02143	50 ft		
FSH02144	100 ft		