

ACCESSORIES

MALE ROD END BEARING W/ JAM NUT

Drawing Number: FI1199-B

INCH [mm] | Material: Chrome-Alloy Steel



SCIGATE AUTOMATION (S) PTE LTD

No.1 Bukit Batok Street 22 #01-01 Singapore 659592

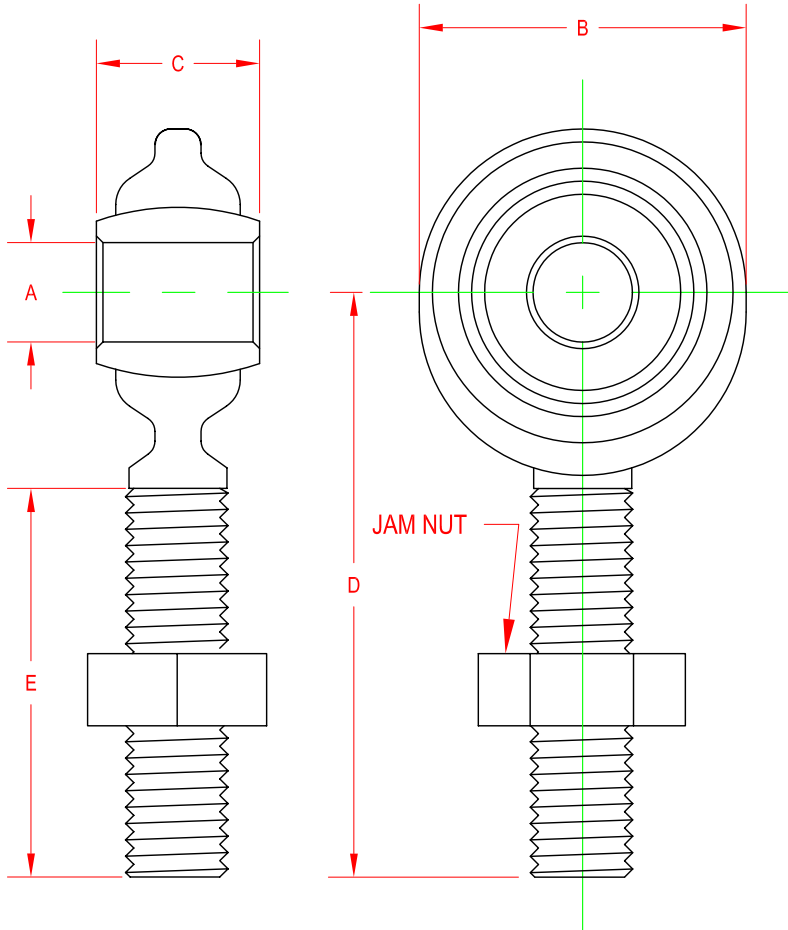
Tel: (65) 6561 0488

Fax: (65) 6562 0588

Email: sales@scigate.com.sg

Web: www.scigate.com.sg

Business Hours: Monday - Friday 8.30am - 6.15pm



ITEM#	THREAD	A	B	C	D	E	LOAD RATING (lb)
FSH02341	10-32	0.19 [4.8]	0.63 [16.0]	0.31 [7.9]	1.25 [31.8]	0.75 [19.1]	2800
FSH02342	1/4-28	0.25 [6.4]	0.75 [19.1]	0.38 [9.7]	1.56 [39.6]	1.00 [25.4]	5200
FSH02343	5/16-24	0.31 [7.9]	0.88 [22.4]	0.44 [11.2]	1.88 [47.8]	1.25 [31.8]	7600
FSH02344	3/8-24	0.38 [9.7]	1.00 [25.4]	0.50 [12.7]	1.94 [49.3]	1.25 [31.8]	9500
FSH02345	7/16-20	0.44 [11.2]	1.13 [28.7]	0.56 [14.2]	2.13 [54.1]	1.38 [35.1]	10200
FSH02346	1/2-20	0.50 [12.7]	1.31 [33.3]	0.63 [16.0]	2.44 [62.0]	1.50 [38.1]	16200
FSH02347	5/8-18	0.63 [16.0]	1.50 [38.1]	0.75 [19.1]	2.63 [66.8]	1.63 [41.4]	17900
FSH02348	3/4-16	0.75 [19.1]	1.75 [44.5]	0.88 [22.4]	2.88 [73.2]	1.75 [44.5]	28000
FSH02349	1 1/4-12	1.00 [25.4]	2.75 [69.9]	1.38 [35.1]	4.13 [104.9]	2.13 [54.1]	107100
FSH03472	1-14	1.00 [25.4]	2.95 [74.9]	1.38 [35.1]	4.50 [114.3]	2.13 [54.1]	107100

BALL JOINT HANDLES UP TO 12° OF MISALIGNMENT