

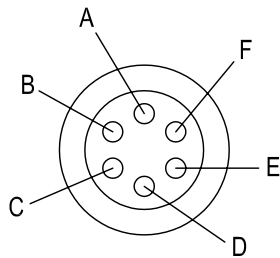
FUTEK MODEL ZCC946

6 Pin Bendix to DB9 Male Cable Assembly

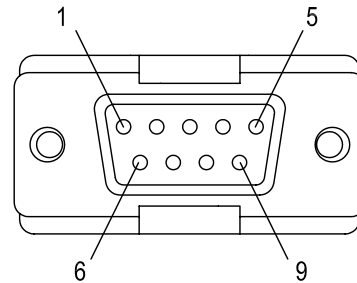
Drawing Number: FI1213-B

FOR FUTEK MODELS WITH CC1/CC2 CONNECTION, AND MATES TO CSG110

INCH [mm]



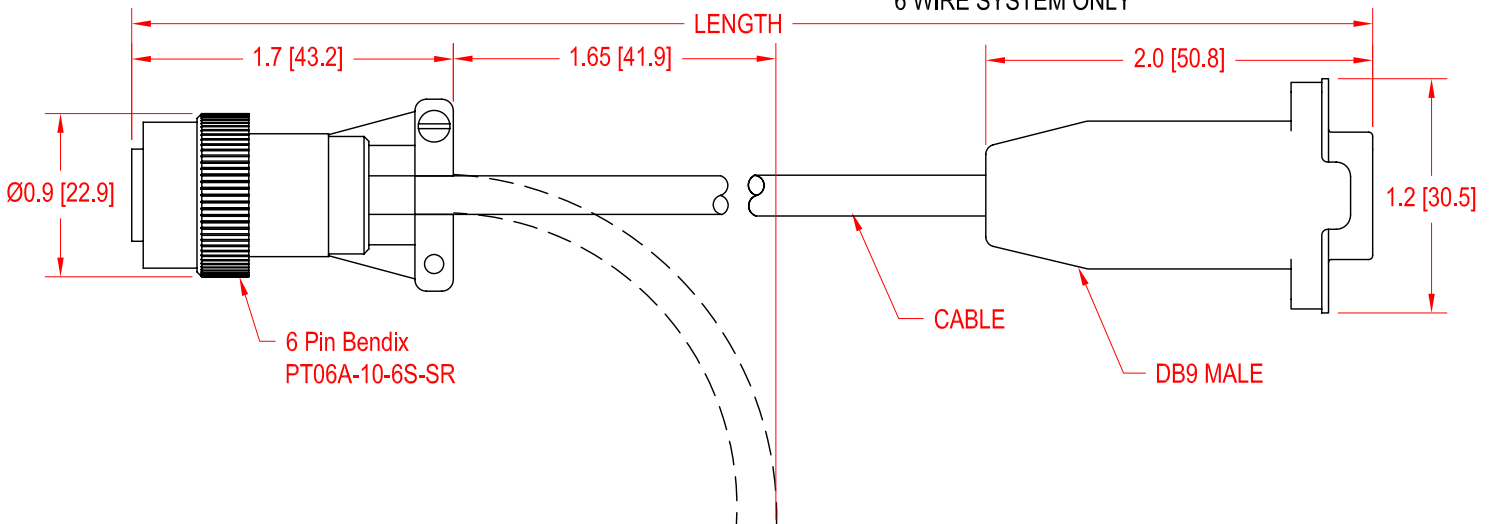
FRONT VIEW



PIN	CC1	CC2
A	RED (+EXCITATION)	RED (+EXCITATION)
B	BLACK (-EXCITATION)	GREEN (+SIGNAL)
C	GREEN (+SIGNAL)	WHITE (-SIGNAL)
D	WHITE (-SIGNAL)	BLACK (-EXCITATION)
E	ORANGE (+SENSE)	N/C
F	BLUE (-SENSE)	N/C
	SHIELD (FLOATING)	SHIELD (FLOATING)

PIN	Wiring Code
1	RED (+EXCITATION) ORANGE (+SENSE*)
2	GREEN (+SIGNAL)
3	WHITE (-SIGNAL)
4	BLACK (-EXCITATION)
5	SHIELD
7	BLUE (-SENSE*)

*6 WIRE SYSTEM ONLY



ITEM #	LENGTH	CODE	CABLE	SPECIFICATIONS
FSH02200	5 ft	CC1	28 AWG, 6 CONDUCTOR BRAIDED SHIELDED POLYURETHANE	TEMP: -40° to 176°F [-40° to 80°C]
FSH02201	10 ft			
FSH02439	15 ft			
FSH02202	20 ft			
FSH02203	30 ft			
FSH02204	50 ft			
FSH02205	100 ft			
FSH02206	5 ft			
FSH02207	10 ft			
FSH02440	15 ft			
FSH02208	20 ft	CC2	DIAMETER: 0.165 [4.2] CABLE MINIMUM BEND RADIUS: 1.65 [41.9]	IP RATING IP50
FSH02209	30 ft			
FSH02210	50 ft			
FSH02211	100 ft			

SCIENCE GATE
Your Automation Partner

SCIGATE AUTOMATION (S) PTE LTD
No.1 Bukit Batok Street 22 #01-01 Singapore 659592
Tel: (65) 6561 0488 Fax: (65) 6562 0588
Email: sales@scigate.com.sg Web: www.scigate.com.sg
Business Hours: Monday - Friday 8.30am - 6.15pm