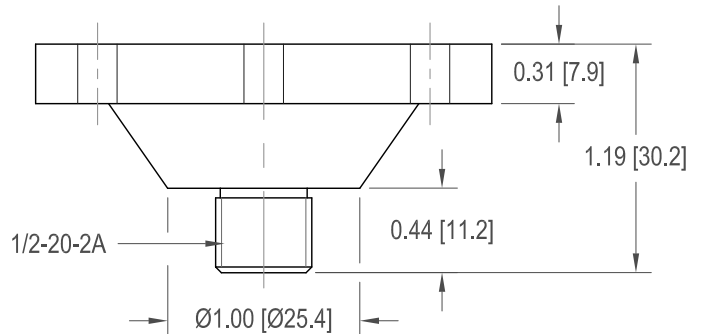
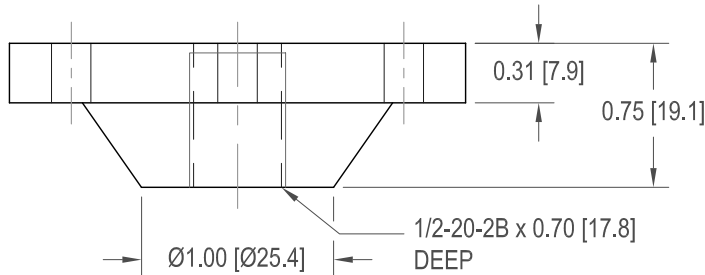
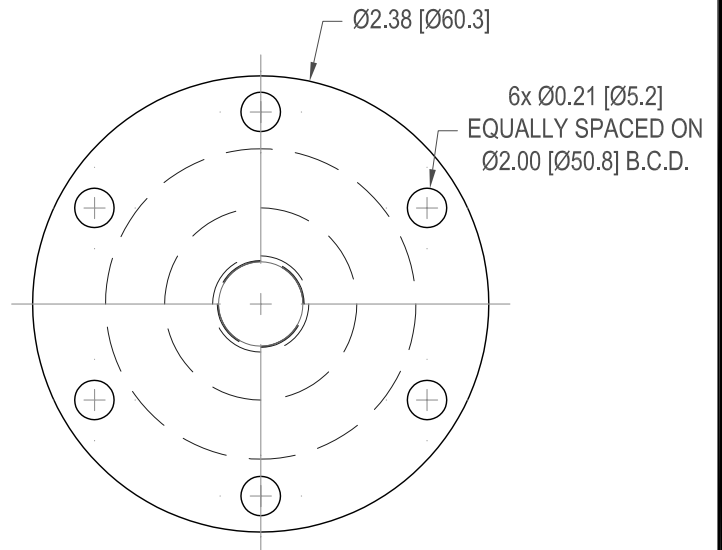
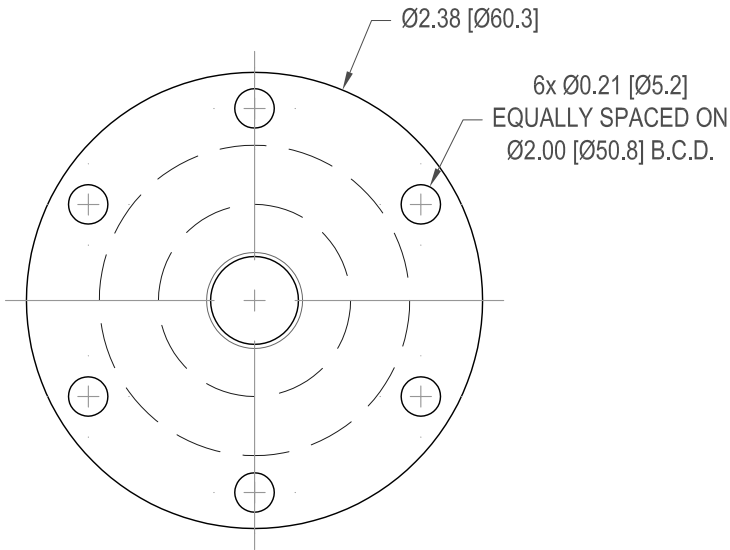


FUTEK MODEL LCB500

Tension Base with Mounting Hardware

Drawing Number: FI1283

INCH [mm] | MATERIAL: 17-4PH S.S.



STOCK NO:	TENSION BASE FEMALE	6x SHC SCREWS #10-32 x 5/8L
FSH02912	X	X
MCP01201	X	
GOD00072		X

STOCK NO:	TENSION BASE MALE	6x SHC SCREWS #10-32 x 5/8L
FSH02913	X	X
MCP01227	X	
GOD00072		X



SCIGATE AUTOMATION (S) PTE LTD

No.1 Bukit Batok Street 22 #01-01 Singapore 659592
 Tel: (65) 6561 0488 Fax: (65) 6562 0588
 Email: sales@scigate.com.sg Web: www.scigate.com.sg
 Business Hours: Monday - Friday 8.30am - 6.15pm

FUTEK
 ADVANCED SENSOR TECHNOLOGY, INC.

This drawing is submitted solely for the information and exclusive use of the original addressee. It is not to be divulged in whole or in part, by any firm or individual without written permission from FUTEK
 CAGE CODE # 1X8M6

10 THOMAS
 IRVINE, CA 92618 USA
 1-800-23-FUTEK (38835)

INTERNET:
<http://www.futek.com>