

# FUTEK MODEL LSB200 (L2357)

# S-BEAM JUNIOR LOAD CELL

DESIGNED FOR INLINE LOADING IN TENSION & COMPRESSION  
AVAILABLE IN #4-40 AND M3x0.5 METRIC THREADS

Drawing Number: FI1041-D

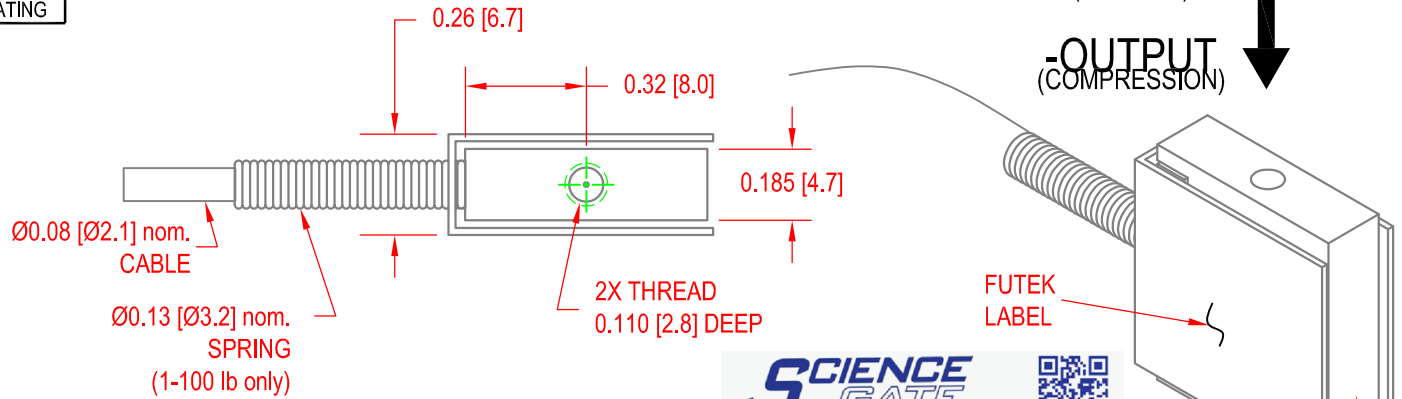
INCH [mm] R.O.= Rated Output

WIRING CODE (WC1)

+Excitation	-Excitation	+Signal	-Signal
RED	BLACK	GREEN	WHITE

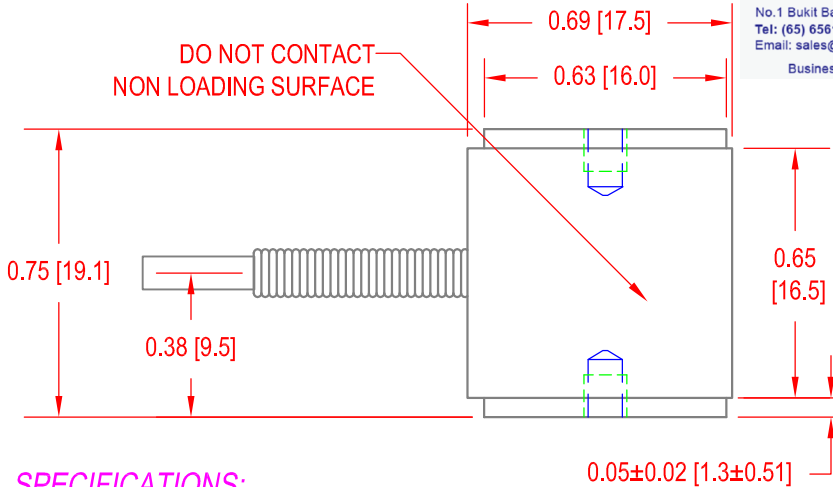
Shield
FLOATING

+OUTPUT (TENSION) ↑  
-OUTPUT (COMPRESSION) ↓



**SCIGATE**  
Your Automation Partner

SCIGATE AUTOMATION (S) PTE LTD  
No.1 Bukit Batok Street 22 #01-01 Singapore 659592  
Tel: (65) 6561 0488 Fax: (65) 6562 0588  
Email: sales@scigate.com.sg Web: www.scigate.com.sg  
Business Hours: Monday - Friday 8.30am - 6.15pm



Stock #	Capacity lb (N)	Thread Size	R.O. (nom.)	BRIDGE RESISTANCE	SHUNT CAL. VALUE	
FSH02534	10g	#4-40	0.5 mV/V	1000 $\Omega$ nom.	301K $\Omega$	
FSH02319	(0.1)	M3x0.5				
FSH02666	20g	#4-40	1 mV/V			
FSH02667	(0.2)	M3x0.5				
FSH02535	50g	#4-40	2 mV/V			150K $\Omega$
FSH02663	(0.5)	M3x0.5				
FSH02536	100g	#4-40	350 $\Omega$ nom.	60.4K $\Omega$		
FSH02664	(1.0)	M3x0.5				
FSH02602	250g	#4-40				
FSH02665	(2.5)	M3x0.5				
FSH00091	1	#4-40				
FSH00101	(4.5)	M3x0.5				
FSH00092	2	#4-40				
FSH00102	(8.9)	M3x0.5				
FSH00093	5	#4-40				
FSH00103	(22.2)	M3x0.5				
FSH00095	10	#4-40				
FSH00104	(44.5)	M3x0.5				
FSH00096	25	#4-40				
FSH00105	(111)	M3x0.5				
FSH00097	50	#4-40				
FSH00106	(222)	M3x0.5				
FSH00098	100	#4-40				
FSH00107	(445)	M3x0.5				

## SPECIFICATIONS:

- RATED OUTPUT** SEE CHART  
**SAFE OVERLOAD** 1000% of R.O.  
**ZERO BALANCE\*\*** 200% of R.O. Tension Only (50-100 lb)\*  
**EXCITATION (VDC OR VAC)** ±3% of R.O., ±5% of R.O. (10-20g)  
**BRIDGE RESISTANCE** 10 Max  
**NONLINEARITY** SEE CHART  
**HYSTERESIS** ±0.1% of R.O.  
**NONREPEATABILITY** ±0.1% of R.O.  
**TEMP. SHIFT ZERO** ±0.05% of R.O.  
**TEMP. SHIFT SPAN** ±0.01% of R.O./°F [0.018% of R.O./°C]  
**COMPENSATED TEMP.** ±0.02% of LOAD/°F [0.036% of LOAD/°C]  
**OPERATING TEMP.** 60 to 160°F [15 to 72°C]  
**MATERIAL** -60 to 200°F [-50 to 93°C]  
**ALUMINUM (10g-10lb), STAINLESS STEEL (25-100lb)**  
**WEIGHT** 0.3 oz [9 g]  
**DEFLECTION** 0.003-0.005 [0.07-0.13]  
**IP RATING** IP40
- CABLE:** #29 AWG, 4 Conductor, Spiral Shielded Silicone Cable, 5 ft [1.5 m] Long  
**ACCESSORIES AND RELATED INSTRUMENTS AVAILABLE**  
**CALIBRATION (STD)** 5 pt TENSION; SEE CHART FOR SHUNT CAL VALUE.  
**CALIBRATION (AVAILABLE)** COMPRESSION  
**CALIBRATION TEST EXCITATION** 5 VDC
- \*SENSOR STRUCTURE CAN HANDLE HIGH OVERLOADS BUT #4-40 and M3x0.5 THREADS MAY LIMIT OVERLOAD AT HIGHER CAPACITY  
\*\* ZERO BALANCE IS BASED ON LAYING SENSOR ON ITS SIDE (THREADS HORIZONTAL)