

FUTEK MODEL LSB200 (L2357)

S-BEAM JUNIOR LOAD CELL

DESIGNED FOR INLINE LOADING IN TENSION & COMPRESSION
AVAILABLE IN #4-40 AND M3x0.5 METRIC THREADS

Drawing Number: FI1041-D

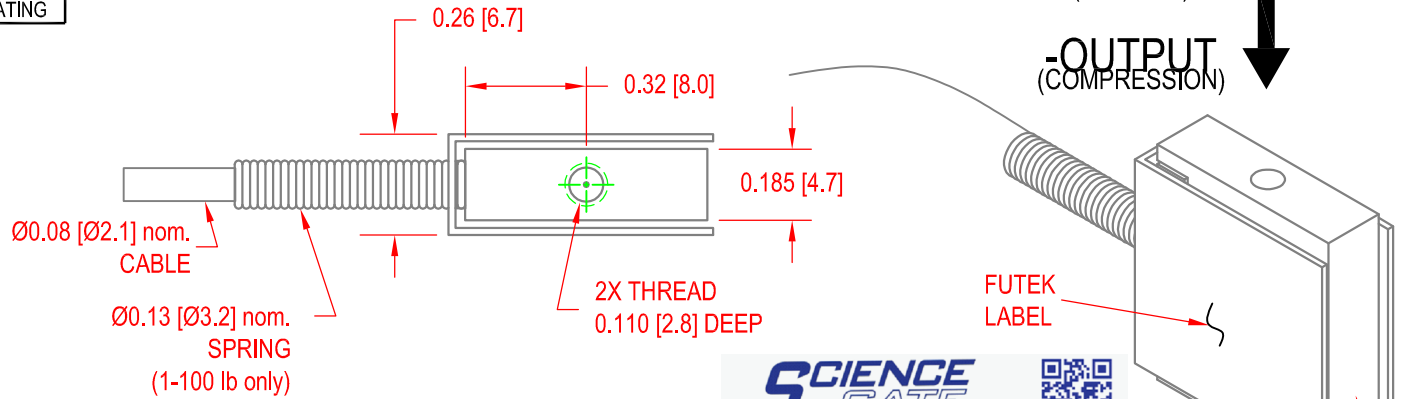
INCH [mm] R.O.= Rated Output

WIRING CODE (WC1)

+Excitation	-Excitation	+Signal	-Signal
RED	BLACK	GREEN	WHITE

Shield
FLOATING

+OUTPUT (TENSION) ↑
-OUTPUT (COMPRESSION) ↓



SCIENCE GATE
Your Automation Partner

SCIGATE AUTOMATION (S) PTE LTD
No. 1 Bukit Batok Street 22 #01-01 Singapore 659592
Tel: (65) 6561 0488 Fax: (65) 6562 0588
Email: sales@scigate.com.sg Web: www.scigate.com.sg
Business Hours: Monday - Friday 8.30am - 6.15pm

Stock #	Capacity lb (N)	Thread Size	R.O. (nom.)	BRIDGE RESISTANCE	SHUNT CAL. VALUE	
FSH02534	10g	#4-40	0.5 mV/V	1000 Ω nom.	301K Ω	
FSH02319	(0.1)	M3x0.5				
FSH02666	20g	#4-40	1 mV/V			
FSH02667	(0.2)	M3x0.5				
FSH02535	50g	#4-40	2 mV/V			150K Ω
FSH02663	(0.5)	M3x0.5				
FSH02536	100g	#4-40	350 Ω nom.	60.4K Ω		
FSH02664	(1.0)	M3x0.5				
FSH02602	250g	#4-40				
FSH02665	(2.5)	M3x0.5				
FSH00091	1	#4-40				
FSH00101	(4.5)	M3x0.5				
FSH00092	2	#4-40				
FSH00102	(8.9)	M3x0.5				
FSH00093	5	#4-40				
FSH00103	(22.2)	M3x0.5				
FSH00095	10	#4-40				
FSH00104	(44.5)	M3x0.5				
FSH00096	25	#4-40				
FSH00105	(111)	M3x0.5				
FSH00097	50	#4-40				
FSH00106	(222)	M3x0.5				
FSH00098	100	#4-40				
FSH00107	(445)	M3x0.5				

SPECIFICATIONS:

RATED OUTPUT SEE CHART
SAFE OVERLOAD 1000% of R.O.
ZERO BALANCE** 200% of R.O. Tension Only (50-100 lb)*
EXCITATION (VDC OR VAC) ±3% of R.O., ±5% of R.O. (10-20g)
BRIDGE RESISTANCE 10 Max
NONLINEARITY SEE CHART
HYSTERESIS ±0.1% of R.O.
NONREPEATABILITY ±0.1% of R.O.
TEMP. SHIFT ZERO ±0.05% of R.O.
TEMP. SHIFT SPAN ±0.01% of R.O./°F [0.018% of R.O./°C]
COMPENSATED TEMP. ±0.02% of LOAD/°F [0.036% of LOAD/°C]
OPERATING TEMP. 60 to 160°F [15 to 72°C]
MATERIAL -60 to 200°F [-50 to 93°C]
WEIGHT ALUMINUM (10g-10lb), STAINLESS STEEL (25-100lb)
DEFLECTION 0.3 oz [9 g]
IP RATING 0.003-0.005 [0.07-0.13]
CABLE: #29 AWG, 4 Conductor, Spiral Shielded Silicone Cable, 5 ft [1.5 m] Long
ACCESSORIES AND RELATED INSTRUMENTS AVAILABLE IP40
CALIBRATION (STD) 5 pt TENSION; SEE CHART FOR SHUNT CAL VALUE.
CALIBRATION (AVAILABLE) COMPRESSION
CALIBRATION TEST EXCITATION 5 VDC
***SENSOR STRUCTURE CAN HANDLE HIGH OVERLOADS BUT #4-40 and M3x0.5 THREADS MAY LIMIT OVERLOAD AT HIGHER CAPACITY**
****ZERO BALANCE IS BASED ON LAYING SENSOR ON ITS SIDE (THREADS HORIZONTAL)**