



## FEATURES

- USB 2.0 Communication Link
- USB Bus-Powered (5V)
- Integrated Shunt Cal
- Streaming ASCII Output
- Input/Output Short Circuit Protection

## SPECIFICATIONS

### GENERAL

Item Number	FSH03456
Sampling Rate	Up to 4800 SPS
Bandwidth (Hz)	Sampling Rate (SPS) / 4
Internal Resolution	24 bits
Resolution (Noise Free)	See Chart
Non-Linearity (max)	±0.005% of FSR
Input	Non-amplified (mV/V) Analog Voltage
Output	Digital Packetized Data
Integrated Digital Filter	50 Hz/60 Hz Rejection (100 dB)
On Chip Memory	1 Kilobyte
Stored Calibration	Up to 16 Points
Weight	approx. 10 g

### STRAIN GAUGE mV/V INPUT

Bridge Excitation	4.5 VDC
Standard Input Range	± 3.4 mV/V (factory default)
Optional Input Range	Up to ± 400 mV/V
Min. Bridge Resistance	50 Ohm
Max. Bridge Resistance	5000 Ohm

### CONNECTORS

Sensor Connector	Hirose LX40-12P
Mating Connector	Hirose LX60-12S
USB 2.0 Connector	Type A Plug

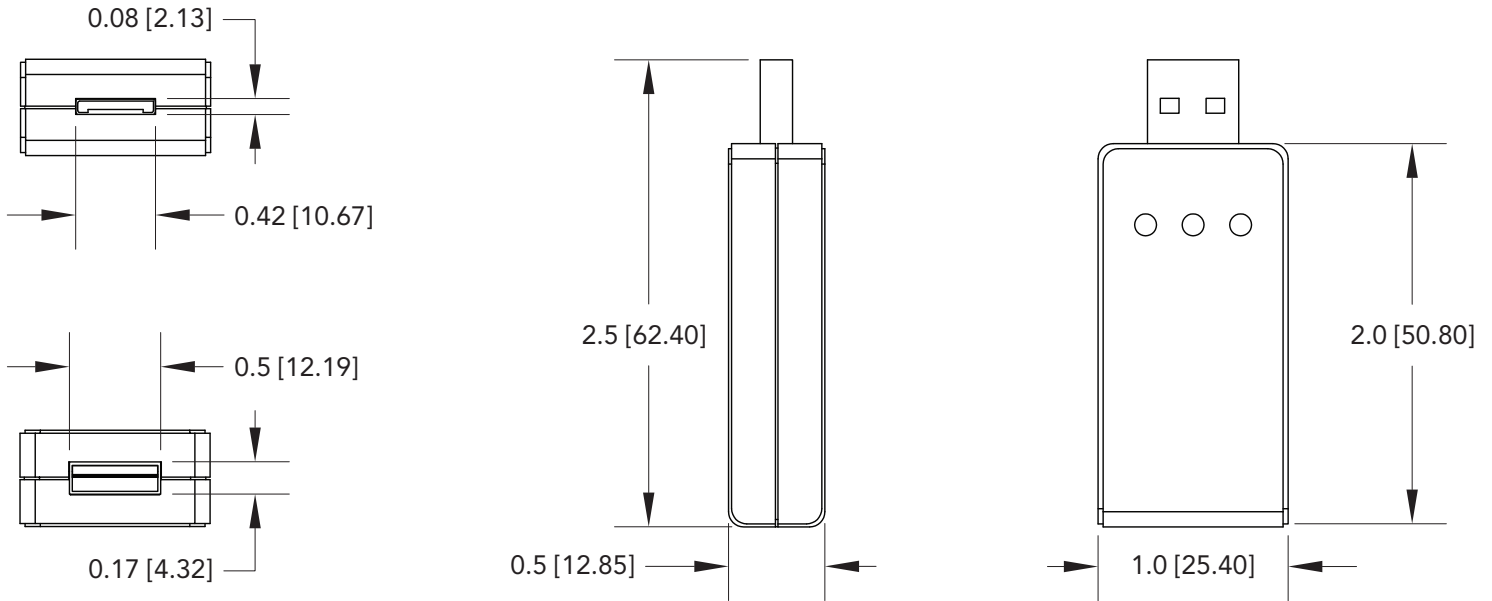
### ENVIRONMENT

Operating Temperature	-13°F to 185°F [-25°C to 85°C]
Storage Temperature	-40°F to 257°F [-40°C to 125°C]
Temperature coefficient factor	10 ppm

### CONFORMITY

RoHS	2011/65/EU
CE	EN 61326-1:2006

**DIMENSIONS** inches [mm]



**LED INDICATORS**

Blinking blue (10 Hz)	Module Auto-Calibration
Blinking blue (1 Hz)	Module Normal Operation
Green	USB Power
Red	USB Data Link

**SAMPLING RATE**

SAMPLES PER SECOND (SPS)	mV/V RESOLUTION
5	18.1
50	17.4
100	16.6
300	15.7
1200	14.8
2400	14.2
4800	13.9

**ACCESSORIES**

- FUTEK's SENSIT™ Software (FSH03189)**  
 14 Day Trial - Available to download on FUTEK website. A license is required, per seat, after 14 days to benefit the features such as data logging, graphing, etc. Trial version turns into basic read-out ONLY after 14 days and a product key is required to enable the features.

**SCIGATE**  
Your Automation Partner

**SCIGATE AUTOMATION (S) PTE LTD**  
 No.1 Bukit Batok Street 22 #01-01 Singapore 659592  
 Tel: (65) 6561 0488 Fax: (65) 6562 0588  
 Email: sales@scigate.com.sg Web: www.scigate.com.sg  
 Business Hours: Monday - Friday 8.30am - 6.15pm

Drawing Number: FI1387

FUTEK reserves the right to modify its design and specifications without notice. Please visit <http://www.futek.com/salesterms> for complete terms and conditions.

10 Thomas, Irvine, CA 92618 USA

Tel: (949) 465-0900

Fax: (949) 465-0905

[www.futek.com](http://www.futek.com)



RoHS



U.S. Manufacturer